

Tool: M40-3/8-1/4 NRV-M40 test

Item numbers covered by this datasheet

530535 Tool: M40-3/8-1/4 NRV-M40 test

Related components

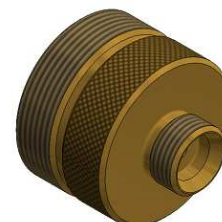
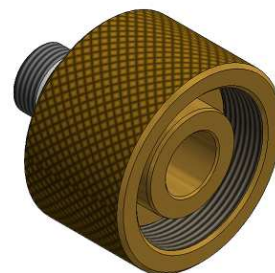
- 305785 NRV22 M40-M40
- 530820-3 Tool kit: FE SV 2015
- 305148 Tool: SV APTB (test port tool)

General

The tool kit can be used as thread adapters between 3/8” thread and the M40 male and female thread that is used in Fire Eater SV CiV systems. The adapter with female thread is equipped with a check valve so it acts as a plug, when no hose is connected to the 3/8” thread.

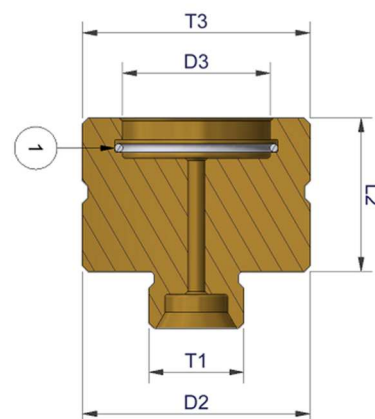
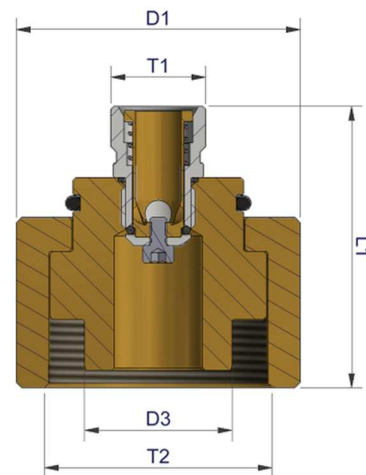
An adapter from the 3/8” thread to 1/4” male thread is included in the kit.

These adapters enables the user to test the NRV22 M40-M40 valve with the APTB test port tool.



Specifications

| | |
|----------------|--------------------------------|
| Materials | Brass, Steel |
| Weight | 0.7kg |
| Pressure [MPa] | |
| Work | 30.0 MPa |
| Proof (burst) | >90.0 MPa |
| Dimensions | See section drawing |
| T1 | ISO228/1 G3/8 w. 60° cone face |
| T2 | M40x1.5 Female |
| T3 | M40x1.5 Male |
| D1 | Ø50 |
| D2 | Ø40 |
| D3 | Ø26 |
| L1 | 50 |
| L2 | 37 |




Marking

Fire Eater Logo
 “Item 530535”
 “G3/8” - M40x1.5”
 “lot. 123456”

Replaceable parts

| Recommended replacement parts | | | |
|-------------------------------|---------|-------------------|----------|
| Pos. | Item | Description | Material |
| 1 | 2251162 | O-ring 25.1 x 1.6 | PU |

| | | |
|--|----------------|--|
| Document: 530535 Tool M40-3_8-1_4 NRV-M40 test | Text | |
| | 1 | |
| Category: SV-CiV system | Id: OLRA | |
| | Rev:2017.10.20 | |
|  <p>Vølundsvej 17 DK- 3400 Hillerød Tel +45 7022 2769 www.fire-eater.com</p> | 2 | |
| | 3 | |
| | 4 | |
| | 5 | |
| | 6 | |
| | 7 | |
| | 8 | |
| 9 | | |