

### Base Plate M10 galvanized Hilti

**Item numbers covered by this data sheet**

Fire-Eater item number and name

OEM item number

85232753 Base Plate M10 Galv Hilti

246909

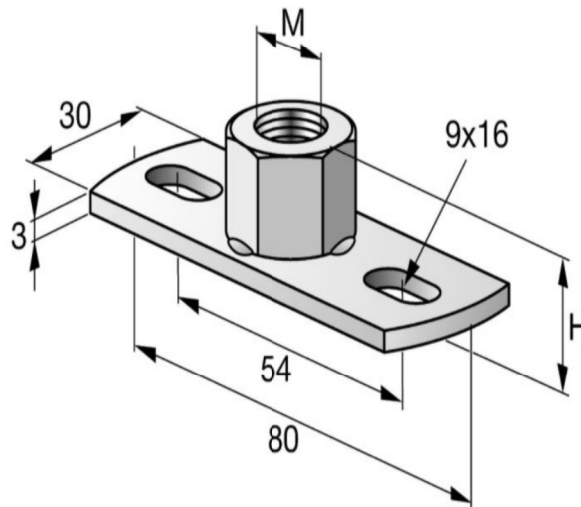
**General**

Baseplate M10 for use with Hilti pipe clamps.

**OEM data sheet**

**TECHNICAL DATA**

2-hole Baseplate MGL 2-M10 #246909



Thread connection - M	M10
Height - H	13 mm
Maximum tensile load - F	2.2 kN
Material composition	DD11 - DIN EN 10111
Surface finish	Galvanized
Number of holes	2

**Document:** 85232753 Base Plate M10 Galv  
Hilti.docx

**Category:**  
Control inert

**Id:** HDN  
**Rev:**2021-03-10

Text

1	
2	
3	
4	
5	
6	
7	
8	
9	



Vølundsvej 17  
DK- 3400 Hillerød  
Tel +45 7022 2769  
www.fire-eater.com