

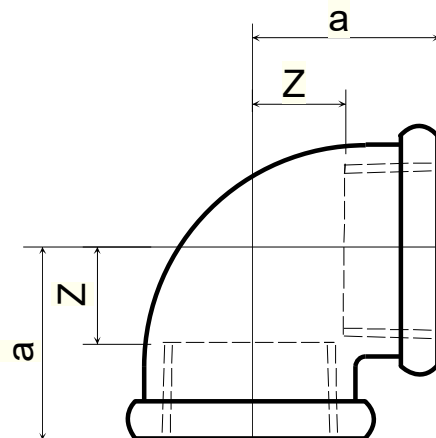
Elbows for INERGEN distribution

Item numbers covered by this datasheet

70090404	Galv Elbow short 90 DN15
70090405	Galv Elbow short 90 DN20
70090406	Galv Elbow short 90 DN25
70090407	Galv Elbow short 90 DN32
70090408	Galv Elbow short 90 DN40
70090409	Galv Elbow short 90 DN50

General

Galvanised type tested threaded malleable cast iron fittings for use in high-pressure fire extinguishing systems according to Vds rules. Each dimension has been type tested @ 300bar, each individual fitting has been leak tested to verify its tightness.



Specifications

Pipe:	a:	Z:	Mass:	Thread:
	[mm]	[mm]	[kg]	[ISO7/1]
DN15	28	15	0.10	1/2"
DN20	33	18	0.15	3/4"
DN25	38	21	0.20	1"
DN32	45	26	0.35	1 1/4"
DN40	50	31	0.45	1 1/2"
DN50	58	34	0.65	2"

Installation

See data sheet: 51 Pipes - Pipes regarding details for pipe system and installation.

Marking

Each fitting is marked with a Red dot and the letter "D" stamped into the body.

Standards & approvals

Fittings are rated for working pressure up to 80bar* in extinguishing systems and 2.2 certificates are available.

EN 10242, EN10226, EN1562

* The manufacturer may specify higher working pressure.

Document: Ci Galv Elbows.docx		1	Text
		2	
Category: Control inert	Id: MRP	3	
	Rev: 2024-05-	4	
		5	
		6	
		7	
		8	
		9	



Vølundsvej 17
DK- 3400 Hillerød
Tel +45 7022 2769
Fax +45 7023 2769