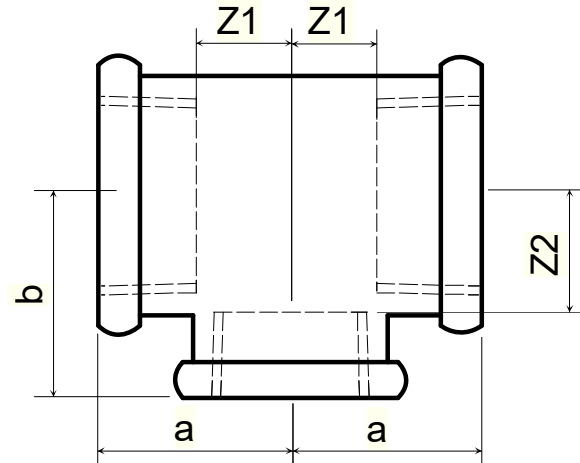


Tees for INERGEN distribution

Item numbers covered by this datasheet

- 70130404 Galv Tee 130 DN15
- 70130405 Galv Tee 130 DN20
- 70130406 Galv Tee 130 DN25
- 70130407 Galv Tee 130 DN32
- 70130408 Galv Tee 130 DN40
- 70130409 Galv Tee 130 DN50
- 70130442 Galv Tee 130 DN25-15-25
- 70130449 Galv Tee 130 DN32-15-32
- 70130450 Galv Tee 130 DN32-20-32
- 70130463 Galv Tee 130 DN50-15-50
- 70130465 Galv Tee 130 DN50-25-50
- 70130525 Galv Tee 130 DN15-20-15
- 70130578 Galv Tee 130 DN25-32-25
- 70130607 Galv Tee 130 DN32-40-32
- 70130636 Galv Tee 130 DN40-50-40



General

Galvanized type tested threaded malleable cast iron fittings for use in high-pressure fire extinguishing systems according to Vds rules. Each dimension has been type tested @ 300bar, each individual fitting has been leak tested to verify its tightness.

Specifications

Pipe:	a:	b:	Z1:	Z2:	Mass:	Thread:
	[mm]	[mm]	[mm]	[mm]	[kg]	[ISO7/1]
DN15	28		15		0.15	½"-½"-½"
DN20	33		18		0.20	¾"-¾"-¾"
DN25	38		21		0.30	1"- 1"- 1"
DN32	45		26		0.45	1 ¼"-1 ¼"-1 ¼"
DN40	50		31		0.60	1 ½"-1 ½"-1 ½"
DN50	58		34		1.0	2"-2"-2"
DN25-15-25	32	34	15	21	0.25	1"-½"-1"
DN32-15-32	34	38	15	25	0.30	1 ¼"-½"-1 ¼"
DN32-20-32	36	41	17	26	0.35	1 ¼"-¾"-1 ¼"
DN50-15-50	38	48	14	35	0.60	2"- ½"-2"
DN50-25-50	44	52	20	35	0.70	2"- 1"-2"
DN15-20-15	31	30	18	15	0.15	½"-¾"-½"
DN25-32-25	42	40	25	21	0.40	1"- 1 ¼"-1"
DN32-40-32	48	46	29	27	0.55	1 ¼"-1 ½"-1 ¼"
DN40-50-40	55	52	36	28	0.75	1 ½"-2"-1 ½"

Document: ci galv tees.docx		1	Text
		2	
Category: Control inert	Id: MRP	3	
	Rev: 2024-05-	4	
		5	
		6	
		7	
		8	
		9	



Vølundsvej 17
 DK- 3400 Hillerød
 Tel +45 7022 2769
 Fax +45 7023 2769

Installation

See data sheet: 51 Pipes - Pipes regarding details for pipe system and installation.

Marking

Each fitting is marked with a red dot and the letter “D” stamped into the body.

Standards & approvals

Fittings are rated for working pressure up to 80bar* in extinguishing systems and 2.2 certificates are available.

EN 10242, EN10226, EN1562

* The manufacturer may specify higher working pressure.

Document: ci galv tees.docx		1	Text
		2	
Category: Control inert	Id: MRP	3	
	Rev: 2024-05-	4	
		5	
		6	
		7	
		8	
		9	



Vølundsvej 17
 DK- 3400 Hillerød
 Tel +45 7022 2769
 Fax +45 7023 2769