

Cable M8-3 accessories - connector, field wireable

This datasheet covers the following items:

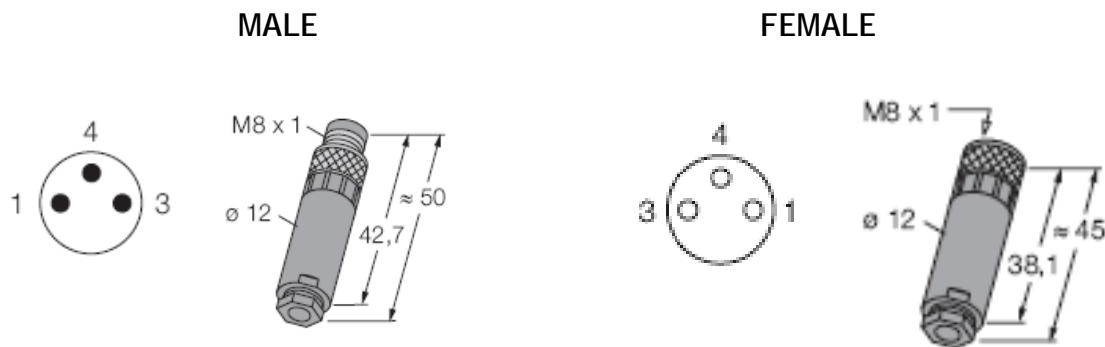
- 303007 Connector Female M8-3 Field wireable
- 303010 Connector Male M8-3 Field wireable

General

Robust, field wireable round connector, female and male.

The wires from the cable are connected to the screw terminals. The wires are tightened to the terminals using the supply tool.

When used with an extension cable, connect the wire from Male pin 1 to Female pin 1 etc.



Technical specification

Cable diameter	3...5 mm
Core cross-section	0.14 ... 0.5 mm ²
Connection mode	screw terminals
Coupling nut/screw	metal, CuZn, nickel-plated
Polarity	3 poles
Mechanical lifespan	min. 100 x connection/disconnection
Protection degree	IP67 (only with screws tightened)
Rated voltage	max. 60V
Current capacity	4.0A
Resistance	<5mΩ
Insulation resistance	>10G Ω
Ambient temperature	-40 ... + 80 °C

Dokument: Cable M8-3 accessories.doc		1	Tekst
		2	
Produkt: Connector M8-3. Female/Male	Id: kp	3	
	Rev: 2.12.08	4	
		5	
		6	
		7	
		8	
		9	



Vølundsvej 17
 DK- 3400 Hillerød
 Tel +45 7022 2769
 Fax +45 7023 2769