

PO Nozzle

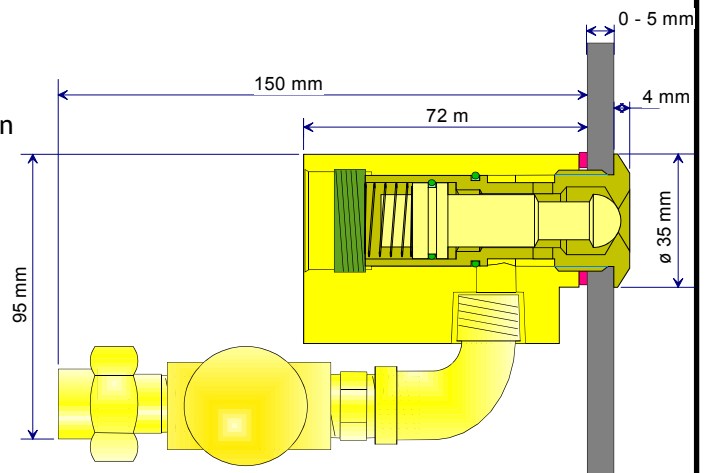
General

The PO nozzle is a pressure operated nozzle, which in its normal position (non pressurised) is closed to a dust tight position.

The nozzle may be used in INERGEN, IG-Duo or similar systems.

The nozzle can be installed in thin walls etc. making it useable for installation in ducts, containers etc. where the inside is very dirty or partly filled with material.

The nozzle comes complete with filter and 0.5m 5/8" hose with fitting to 1/2" pipe.



Normal position (closed)

Specifications

Valve

Designation: PO Nozzle 60
 Orifice: $\varnothing 6.0$ (28 mm^2)
 Work pressure: 6 - 100 bar
 Temp. (operating): -10 to +70 °C
 Connections: ISO7 R 1/2"

Operation

Operation pressure: 2-6 bar

Dimensions

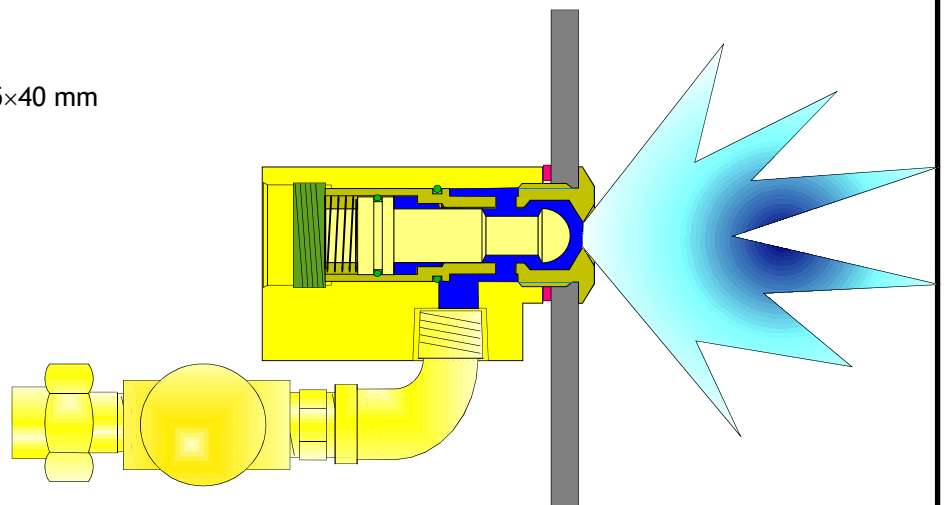
LxWxH: 160x95x40 mm
 Weight: 1.1 kg

Material

Brass
 Viton

Installation

See document
 3057110 PO Nozzle inst



Operating position (open)

Maintenance

Inspect annually, especially inspect for dust on the back of piston (through 8 mm Hex hole, replace sticker).
 Operate or disassemble and clean every 10 years.
 Clean thoroughly after discharge with fluids.

Document: 307110 PO Nozzle.doc		1	Text
		2	
Product: IG-Duo	Id: mk	3	
	Rev: 19.10.06	4	
		5	
		6	
		7	
		8	
		9	



Vølundsvej 17
 DK- 3400 Hillerød
 Tel +45 7022 2769
 Fax +45 7023 2769