

F224 Master Tableau (alarm indicator)

This data sheet covers the following items:

406121	Tableau Master F224 FE DK "Forlad rum"
406122	Tableau Master F224 FE DK "Adgang forbudt"
406251	Tableau Master F224 Lotek DK "Forlad rum"
406252	Tableau Master F224 Lotek DK "Adgang forbudt"
406148	Tableau Master F224 Lindpro DK "Adgang forbudt"
406149	Tableau Master F224 Lindpro DK "Forlad rum"

The master tableau (alarm indicator) is used to indicate visually and audible if there is a fire. It is possible to connect up to eight slave tableaux (alarm indicators). At 1st stage the light flashes and the buzzer pulses. At 2nd stage the light and the buzzer are on continuously. It communicates with the F224 control panel via Nittan data-bus.

Technical/Mechanical specifications

Input voltage:	24 VDC +/- 10%
Fuse:	2A, Electronic fuse
Current consumption (idle mode):	15mA
Dimensions LxWxH / Weight:	120x40x80 mm / 0.2 kg.

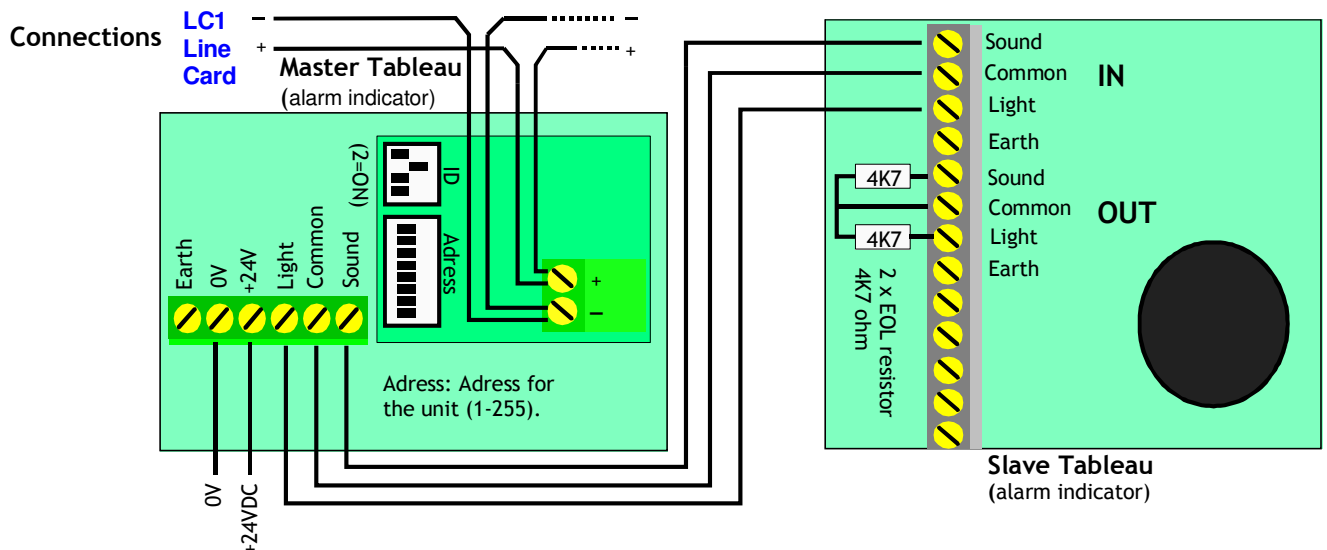
Slave Tableau (alarm indicator) connection

Maximum number:	8
Monitoring for fault, short/interruption:	<3KΩ / >6KΩ
Recommended monitoring resistors:	2 x 4K7Ω
(connected between Light/Common, Sound/Common).	

If a slave tableau (alarm indicator) is not connected, the monitoring resistors (EOL resistors) must be connected at the master tableau (alarm indicator), between Light/Common and Sound/Common.

Indications

- Active (Flashing, indicate the sw version)
- Fault. Short/Interrupt, CPU fault.



Document: INTEC_Tableau Master.doc		1	Text
		2	
CATEGORY: Electrical comp.	Id: MRP	3	
	Rev: 10.12.09	4	
		5	
		6	
		7	
		8	
		9	



Vølundsvej 17
DK- 3400 Hillerød
Tel +45 7022 2769
Fax +45 7023 2769