

F224 Master Tableau (alarm indicator)

This data sheet covers the following items:

- 406121 Tableau Master F224 FE DK "Forlad rum"
- 406122 Tableau Master F224 FE DK "Adgang forbudt"
- 406251 Tableau Master F224 Lotek DK "Forlad rum"
- 406252 Tableau Master F224 Lotek DK "Adgang forbudt"
- 406148 Tableau Master F224 Lindpro DK "Adgang forbudt"
- 406149 Tableau Master F224 Lindpro DK "Forlad rum"

The master tableau (alarm indicator) is used to indicate visually and audible if there is a fire. It is possible to connect up to eight slave tableaux (alarm indicators). At 1st stage the light flashes and the buzzer pulses. At 2nd stage the light and the buzzer are on continuously. It communicates with the F224 control panel via Nittan data-bus.

Technical/Mechanical specifications

| | |
|----------------------------------|------------------------|
| Input voltage: | 24 VDC +/- 10% |
| Fuse: | 2A, Electronic fuse |
| Current consumption (idle mode): | 15mA |
| Dimensions LxWxH / Weight: | 120x40x80 mm / 0.2 kg. |

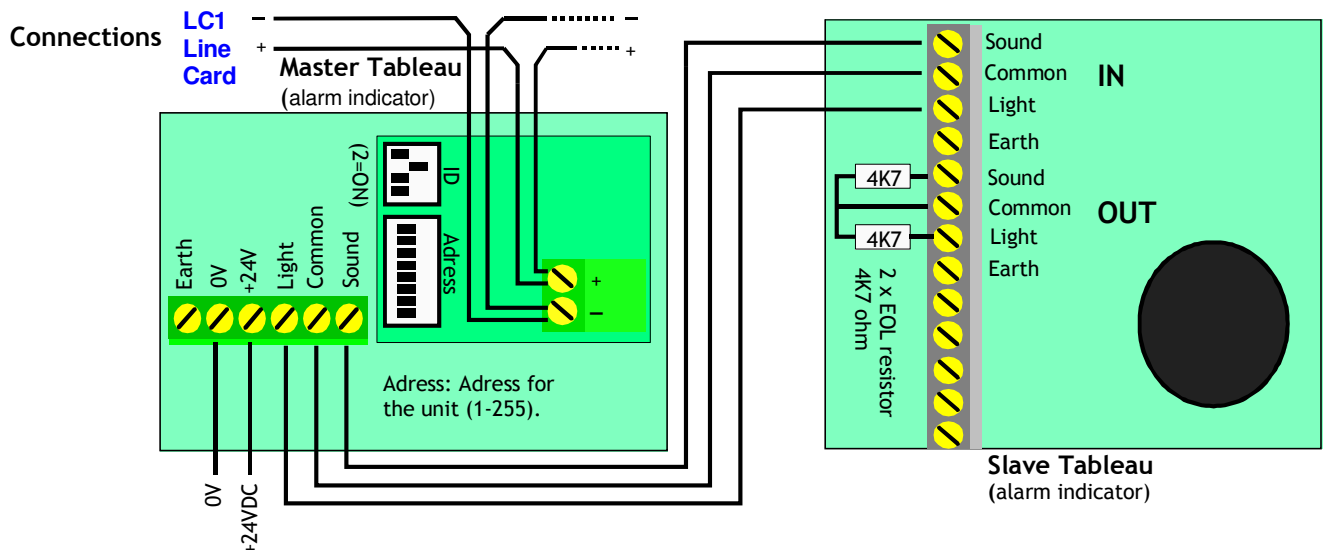
Slave Tableau (alarm indicator) connection

| | |
|-------------------------------------------------|-------------|
| Maximum number: | 8 |
| Monitoring for fault, short/interruption: | <3KΩ / >6KΩ |
| Recommended monitoring resistors: | 2 x 4K7Ω |
| (connected between Light/Common, Sound/Common). | |

If a slave tableau (alarm indicator) is not connected, the monitoring resistors (EOL resistors) must be connected at the master tableau (alarm indicator), between Light/Common and Sound/Common.

Indications

- Active (Flashing, indicate the sw version)
- Fault. Short/Interrupt, CPU fault.



| | | | |
|------------------------------------|---------------|---|------|
| Document: INTEC_Tableau Master.doc | | 1 | Text |
| CATEGORY: Electrical comp. | | 2 | |
| Id: MRP | Rev: 10.12.09 | 3 | |
| | | 4 | |
| | | 5 | |
| | | 6 | |
| | | 7 | |
| | | 8 | |
| | | 9 | |



Vølundsvej 17
 DK- 3400 Hillerød
 Tel +45 7022 2769
 Fax +45 7023 2769