

SV48 Orifice NPT Kit

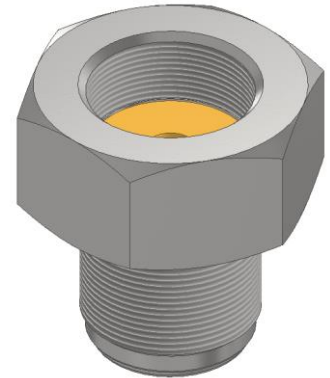
Item numbers covered by this datasheet

304420 SV48 Orifice NPT kit

General

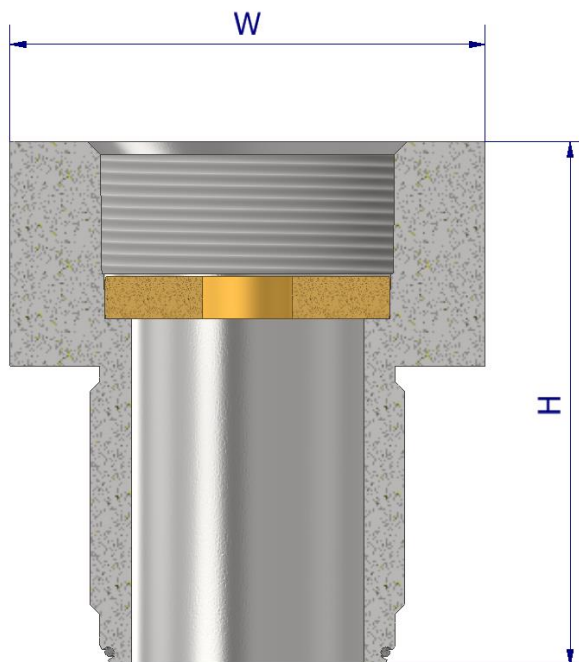
This orifice kit is used with the SV48 as both an adapter to NPT system as well as a pressure reducing device in the SV48 valve to control the pipe pressure downstream of the valve.

This version is intended to be used in systems with SV48 valve.



Specifications

Dimensions (W x H):	90 x 99.3 mm
Weight:	2.4 kg
Orifice:	Ø11 - Ø44 mm
Thread connections:	
Male:	ISO228/1-G 2"
Female:	NPT 2"
Materials:	Steel, brass
Temperature:	-60°C - +100°C
Pressure	
Work:	0 - 40 MPa
Proof:	>120 MPa



Document:
304420 SV48 Orifice NPT Kit

Category: Control inert

Id: NST
Rev:2022.09.28

Text

1	
2	
3	
4	
5	
6	
7	
8	
9	



Vølundsvej 17
DK- 3400 Hillerød
Tel +45 7022 2769
www.fire-eater.com

Marking

The orifice kit is marked as follows:

Adaptor

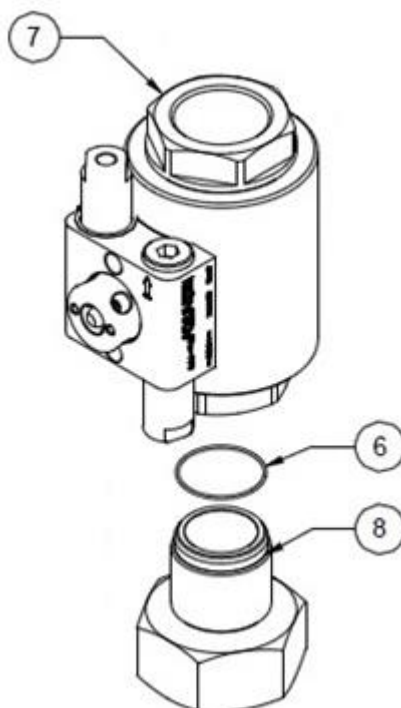
Plane 1: Fire Eater logo, "SV48", "Item: 304403 Orifice adapter", "WP 40.0 MPa", flow direction arrow

Plane 2: "Male thread: BSPP ↑", "Orifice: Ø XX.X", "Female thread: NPT ↓"

Orifice disc: orifice size "XX.X"

Installation

1. The orifice size is calculated using the IMT software, drilled and verified using a calibrated calibre. NB the orifice must be sharp-edged and without burrs.
2. Lubricate O-ring (pos. 6) and mount the orifice (pos. 8) as shown in the exploded view. **IMPORTANT!** The orifice must be placed on the up-stream side of the valve and adhere to flow direction.

Installation view

Pos.	Item	Description	Material
6	2505180	O-ring 50.52x1.78	EPDM
7	304450	SV48 Selector Valve	-
8	304420	Orifice NPT	Steel+Brass

Document:
304420 SV48 Orifice NPT Kit

Category:
Control inert

Id: NST
Rev:2022.09.28

Text

1

2

3

4

5

6

7

8

9



Vølundsvej 17
DK- 3400 Hillerød
Tel +45 7022 2769
www.fire-eater.com