

NPT/ISO 1/2" Pressure Switch kit

Item numbers covered by this datasheet

304430 NPT/ISO 1/2" Pressure Switch kit

General

The pressure switch kit is used when a signal for pressurized pipe is needed

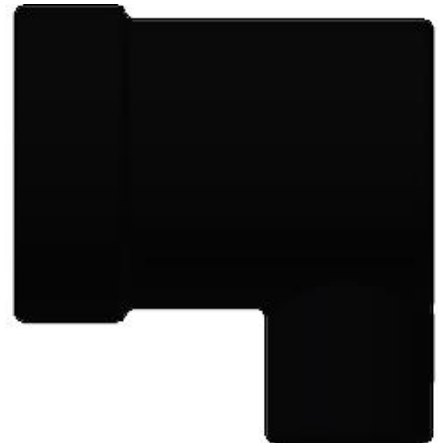
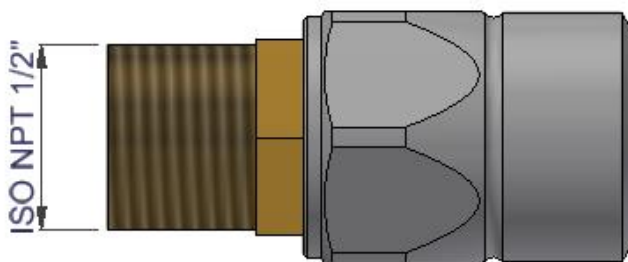
Specifications

Pressures:

Working pressure: 300 bar
 Switch point: 15 - 50 bar
 Tolerances: ± 5 bar
 Ingress protection class: IP65
 Temperature: -30°C - +100°C

Materials:

Pressure switch: Zinc plated steel
 Bonded seal: Stainless steel
 Adapter: Brass



Electrical specific

Voltage: max 42 V
 Current: max 4 A
 Operations: max 200 min -1, 106 total

Mechanical specific

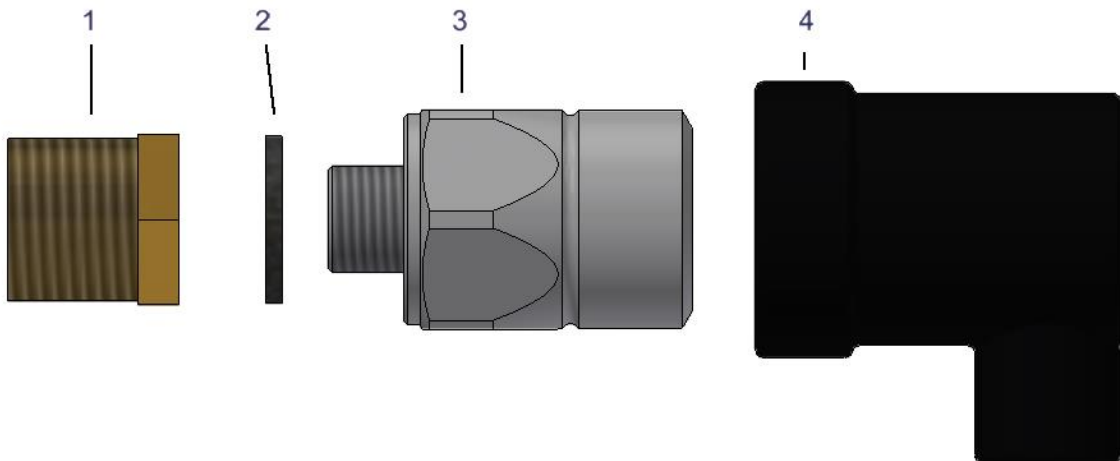
Thread connections: ISO228 G 1/2"

Document: 304430 NPTISO 1_2" Pressure Switch kit		1	Text
		2	
Category: Control inert	Id: NST	3	
	Rev:2022.04.01	4	
		5	
		6	
		7	
		8	
		9	



Vølundsvej 17
 DK- 3400 Hillerød
 Tel +45 7022 2769
 www.fire-eater.com

Components

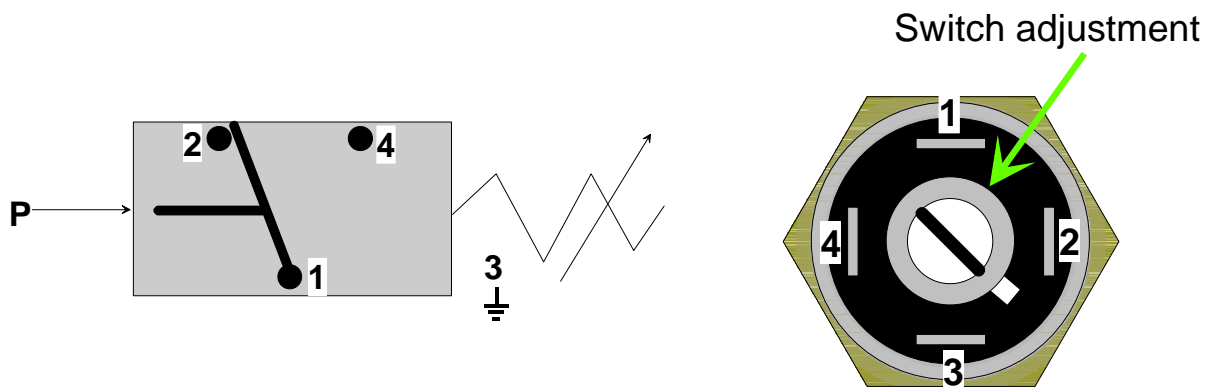


Pos.	Name	Quantity	Item
1	Adapter	1	203041
2	Bonded seal	1	777203
3	Pressure switch	1	212210
4	Cable: pressure switch	1	404025

Installation

Connect cable to pressure switch. Connect to system.

If a different switch point is required, this can be adjusted at the pressure switch (see drawing below).



Document: 304430 NPTISO 1_2" Pressure Switch kit		1	Text
		2	
Category: Control inert	Id: NST	3	
	Rev:2022.04.01	4	
		5	
		6	
		7	
		8	
		9	



Vølundsvej 17
DK- 3400 Hillerød
Tel +45 7022 2769
www.fire-eater.com