

## ZSV-50 Sol-man 24VDC

### Item numbers covered by this datasheet

325230 ZSV-50 Orifice assembly  
 325230-8 ZSV-50 Orifice assembly Calib

### Related components

325150 ZSV-50 Sol-man 24VDC  
 325171 ZSV-50 Sol-man 24VDC Kit

### General

The ZSV-50 Orifice assembly is a flow restrictor, which ensures the correct downstream pressure when calibrated according to the IMT calculation. It is mounted between the ZSV-50 valve and standard 2" SAE J flanges.



### Ordering information

All orifice assemblies are supplied with a predrilled  $\varnothing 15$ mm orifice. If a "-8" item number is ordered sufficient information to calibrate the orifice must be supplied.

### Specifications

Pressure:

Work: 40.0 MPa

Proof (burst): > 1200 bar

Temperature: -20 to 50°C

Flow way: max. 1520mm<sup>2</sup>/ ( $\varnothing 44$ mm)

Materials: Brass orifice, Stainless steel marking plate

Weight: 0.5 kg

Dimensions: See section drawing

D1	As IMT Calculation. ( $\varnothing 15$ Uncalibrated)
D2	$\varnothing 54.2$
D3	$\varnothing 63.2$
D4	$\varnothing 66.5$
D5	$\varnothing 72$
L1	13
L2	3
L3	75

### Marking

" $\varnothing X.XX$ " (Calibrated items only)

Fire Eater Logo

"Item 325230"

"WP 40.0 MPa"

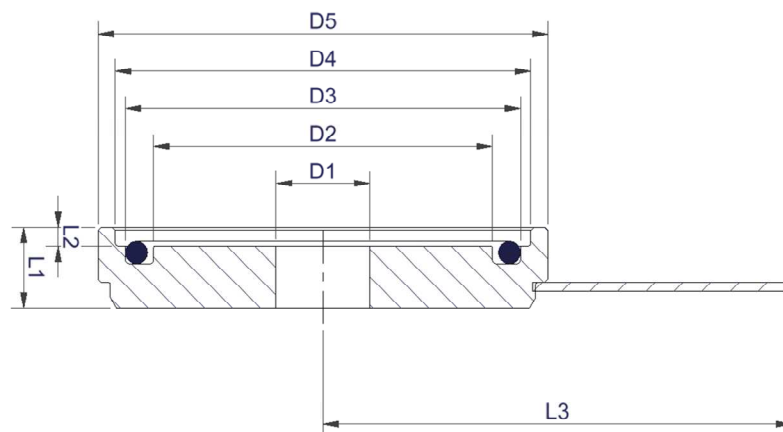
"Sn. 123456-123"

<b>Document:</b> 325230 ZSV-50 Orifice assembly		1	Text
		2	
<b>Category:</b> SV-CiV System	Id: OLRA	3	
	Rev:2017.10.26	4	
		5	
		6	
		7	
		8	
		9	



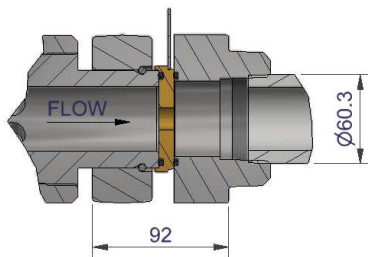
Vølundsvej 17  
 DK- 3400 Hillerød  
 Tel +45 7022 2769  
 www.fire-eater.com

**Section drawing**

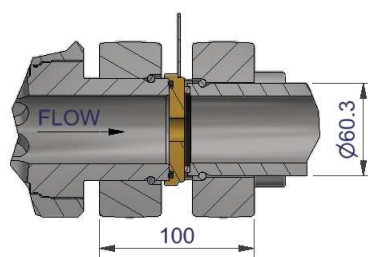


**Installation**

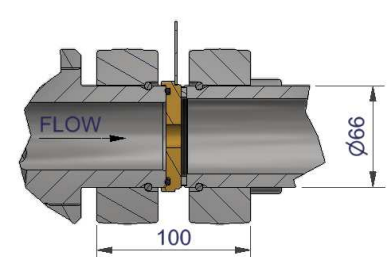
1. The orifice calibration must match the system calculation.
  2. Make sure that the sealing surfaces are clean.
  3. The ZSV-50 Orifice assembly is placed between the ZSV-50 valve outlet and the flange leading to the pipe system. The orifice has a flat sealing surface on the downstream side. The seal to the pipe system depends on the flange type and is not included in the orifice assembly.
- Installation examples:



SAE J Flange with o-ring.  
Thread or weld type.




2" Schedule pipe with retain ring  
flange and bonded seal



2" metric pipe with retain ring and  
bonded seal

**Replaceable parts**

Recommended replacement parts			
Pos.	Item	Description	Material
-	2568351	O-ring 56.75x3.53	Elastomer

<b>Document:</b> 325230 ZSV-50 Orifice assembly	Text	
	1	
<b>Category:</b> SV-CiV System	Id: OLRA	
	Rev:2017.10.26	
 Vølundsvej 17 DK- 3400 Hillerød Tel +45 7022 2769 www.fire-eater.com	2	
	3	
	4	
	5	
	6	
	7	
	8	
	9	