

Sigma XT FE

General

Sigma XT is an extinguishant releasing control panel which is fully compliant with EN12094-1, EN54-2, and EN54-4. It is easy to install and the simple, programmable configuration options make the Sigma XT panel the ideal choice for small and medium sized systems.

With three detection zones as standard, extinguishant release can be configured to activate from any combination of detection zone inputs.

The extensive configuration options of the Sigma XT allow the functionality of the system to be extensively modified while still complying with the requirements of the controlling standard for the equipment (EN12094-1).

The panel contains a large LED display to enable easy configuration and control which also displays the time remaining until extinguishant release for added user safety.



Features

- Complies with EN12094-1, EN54-2, EN54-4.
- BSI EC- certificate no.2787 CPR 496748. Discontinued 0086-CPR-96748/ 0086-CPD-96748.
- Three detection zones. Any combination of zones can be configured to release.
- Configurable detection delays. Configurable 'First stage' sounder delays.
- Configurable zero time delay upon manual release option.
- Compatible with I.S. barriers.
- Configurable extinguishant release time delays up to 60 seconds in 5 second steps.
- Configurable extinguishant release duration up to 5 minutes in 5 second steps.
- Countdown timer shows time remaining until release.
- Supports up to 7 status indicators and up to 7 ancillary boards.
- Built-in extract fan control.

Document: 54000X SigmaXT.doc		1	Text
		2	
Chapters: Control panels	Id: MRP	3	
	Rev: 2022-10-25	4	
		5	
		6	
		7	
		8	
		9	



Vølundsvej 17
DK- 3400 Hillerød
Tel +45 7022 2769
Fax +45 7023 2769

Programmable Functions

Access Level 2

Test Zones 1 to 3
 Disable Zones 1 to 3
 Disable 1st Stage Alarms
 Disable Pre-activated 1st Stage Relay
 Disable Pre-activated 2nd Stage Relay
 Disable Extract Fan Output
 Disable Manual Release Input
 Disable Extinguishant Sub System
 Activate Extract Fan Output
 Activate Alarm Delays

Access Level 3

Sounder Delay
 Coincidence Detection
 Disable Panel Features
 Zone Alarm Delays (Detectors)
 Zone Alarm Delay (Call Points)
 Configure Zone for I.S Barrier Use
 Zone Short Circuit Alarm
 Zone Non Latching
 Zone Inputs Delay
 Extinguishant Release Time Delay
 Extinguishant Release Duration Timer
 Extinguishant Reset Delay Timer

Technical specifications

Size/Weight (incl. battery)	385 X 310 X 90 mm/5 kg
Operation temperature/ingress protection	-5 °C to + 50 °C / IP 30
Mains supply	230V AC +10%/-15% (100 Watts maximum)
Mains supply fuse	1.6 Amp (F1.6A L250V)
Power supply rating	3 Amps total, including battery charge 28V +/- 2V
Maximum ripple current	200 millivolts
Battery type (Yuasa NP)	Two 12V/7Ah sealed lead acid in series
Battery charge voltage/current	27.6VDC nominal (temperature compensated)/ 0.7A maximum
Battery fuse	20mm, 3.15A glass
Maximum current draw from batteries	3 Amps
Quiescent current of panel in mains fail	0.095A
ROV output	Fused at 500mA with electronic fuse
Sounder outputs	24V fused at 500mA with electronic fuse
Relays contact rating	30VDC 1A maximum
Fault, Fire, Local fire, First stage, Second stage, Extract	
Zone quiescent current	2mA maximum
Number of detectors per zone	Dependent on type (maximum 32)
Number of sounders per circuit	Dependent on type (max. 0.5A per sounder circuit)
Detection/Monitored circuit end of line	5K6 5% ½ Watt resistor
Sounder circuit end of line	10K 5% ½ Watt resistor
Extinguishant output end of line	1N4004 Diode
No. of detection circuits	3
No. of sounder circuits	2 x 1st Stage, 1 x 2nd Stage
Extinguishant release output	Fused at 1 Amp (3 Amps for max. 20mS)
Extinguishant release delay	Adjustable 0 to 60 seconds (in 5 second steps)
Extinguishant release duration	Adjustable 60 to 300 seconds (in 5 second steps)
SIL, AL, FLT, RST inputs	Switched -ve, max. resistance 100 ohms
Zone normal threshold	8K ohms to 1K ohm
Detector alarm threshold	999 ohms to 400 ohms
Call point alarm threshold	399 ohms to 100 ohms
Short circuit threshold	99 ohms to 0 ohms
Head removal condition	15.5 to 17.5 volts
Monitored inputs normal threshold	8K ohms to 1K ohm
Monitored inputs alarm threshold	999 ohms to 100 ohms
Monitored inputs Short circuit threshold	99 ohms to 0 ohms
Status unit/Ancillary board connection	Two wire RS485 connection
Status unit power output	Fused at 500mA with electronic fuse
Cabling/Terminal capacity	FP200 or equivalent/0.5mm ² to 2.5mm ² solid or stranded wire
Stand-by capacity (Battery capacity)	
Normal operation (90mA)	77 hours (7.0 Ah battery)
Alarm operation (200mA)	35 hours (7.0 Ah battery)

Document: 54000X SigmaXT.doc		1	Text
		2	
Chapters: Control panels	Id: MRP	3	
	Rev: 2022-10-25	4	
		5	
		6	
		7	
		8	
		9	



Vølundsvej 17
 DK- 3400 Hillerød
 Tel +45 7022 2769
 Fax +45 7023 2769

Appendix: Sigma XT DK (Denmark)

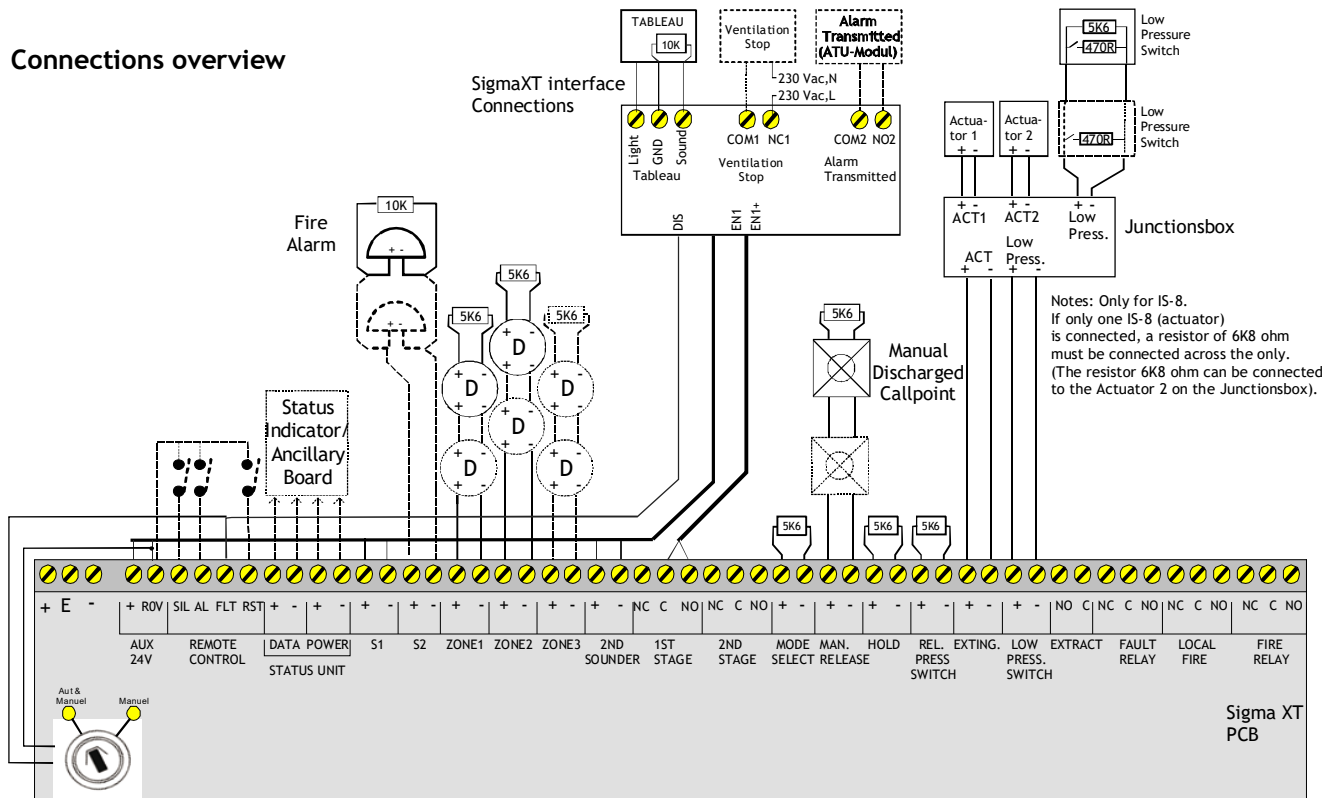
Complies with DBI 253, certificate no. 253.103

The control panel for Denmark is supplied with a special feature, making it possible to disable the sound from the alarm devices (tableaux) at fire but keep the light on. If the key-switch is turned to Manuel it will activate a fault and if the signal on the Tableau-interface are disabled it will also activate a fault on the control panel.

Front panel DK



Connections overview



Document: 54000X SigmaXT.doc		1	Text
		2	
Chapters: Control panels	Id: MRP	3	
	Rev: 2022-10-25	4	
		5	
		6	
		7	
		8	
		9	



Vølundsvej 17
DK- 3400 Hillerød
Tel +45 7022 2769
Fax +45 7023 2769

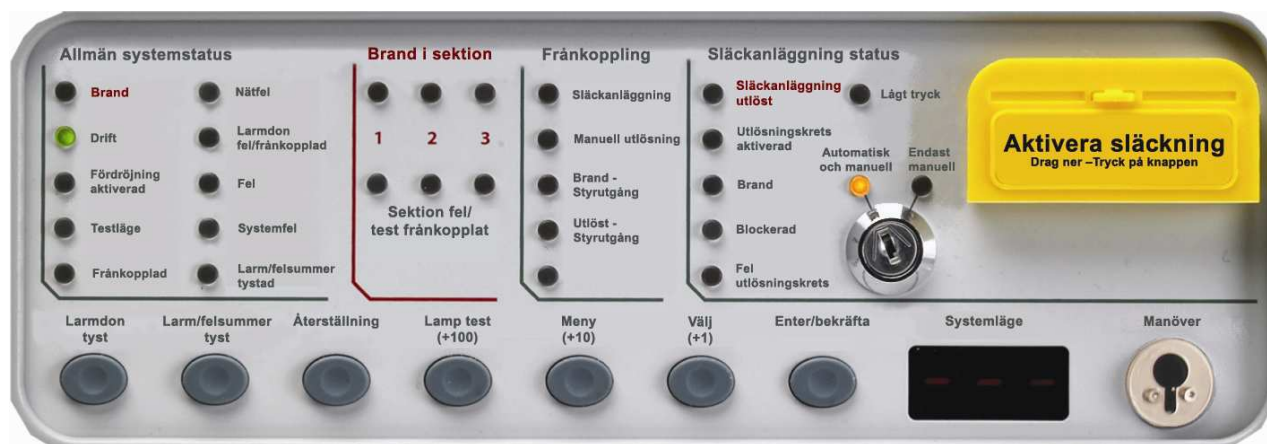
Appendix: Sigma XT SE (Sweden)

Complies with

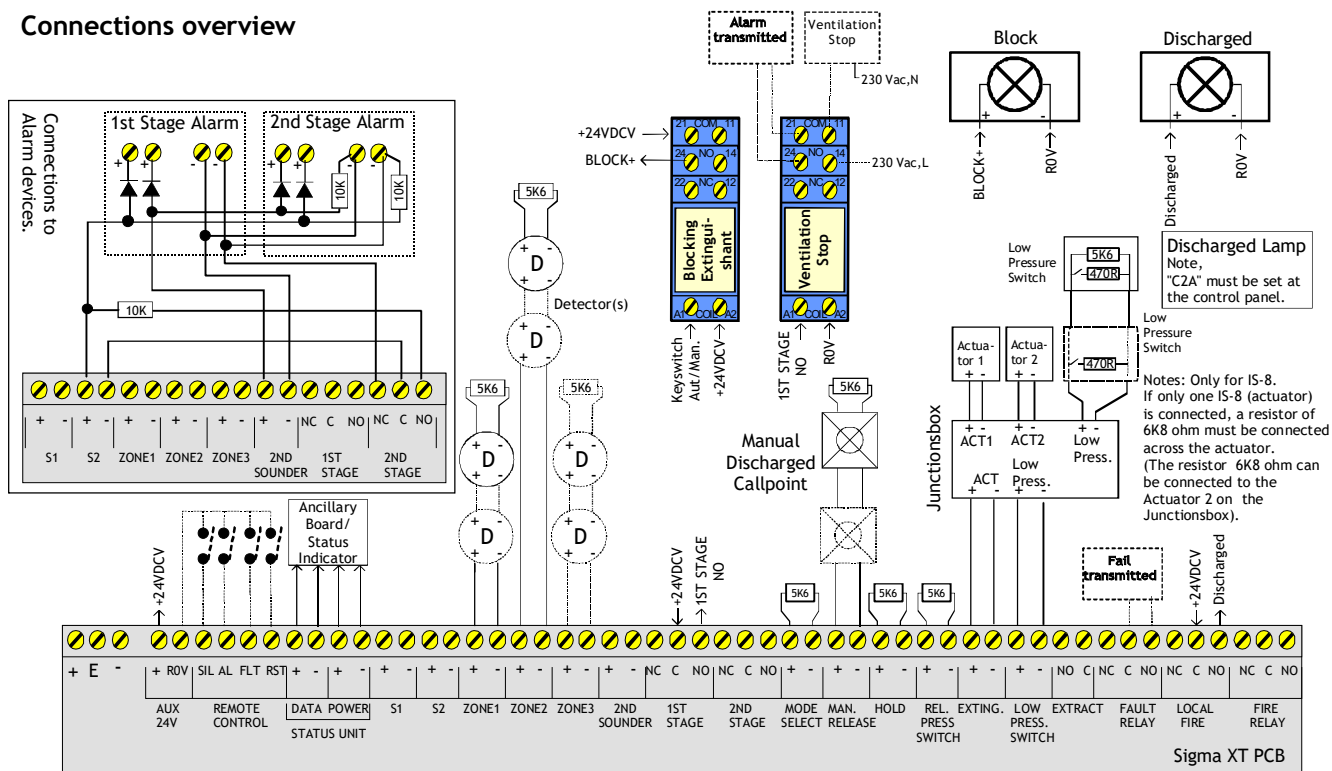
SBF1494:1, Norm för Kontrollenheter och fördröjningsanordningar för släcksystem. Certificate no. 07-455
 SBF110:6, Regler för automatisk brandlarmanläggning. Certificate no. 12-177

The panel has a fireman lock where the fireman has access to the panel with at special fireman key.

Front panel SE



Connections overview



Document: 54000X SigmaXT.doc

Chapters:
Control panels

Id: MRP
Rev: 2022-10-25

Text
1
2
3
4
5
6
7
8
9



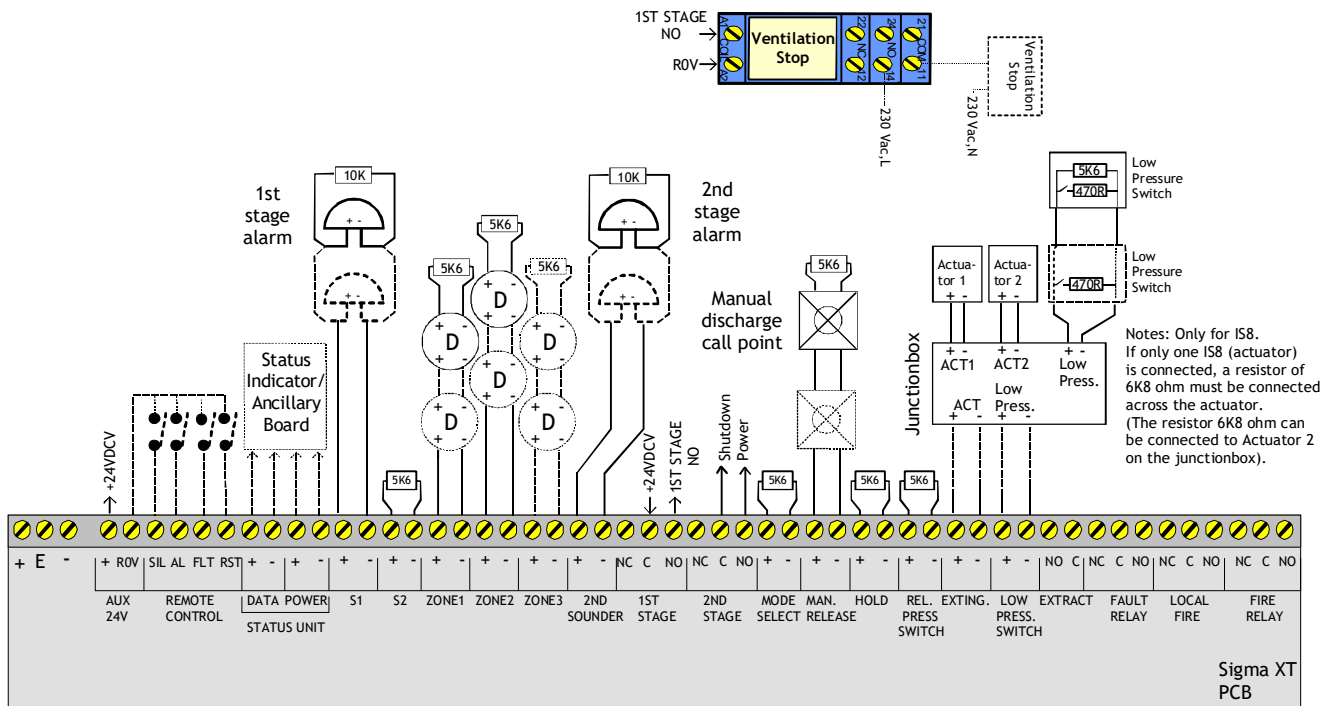
Vølundsvej 17
 DK- 3400 Hillerød
 Tel +45 7022 2769
 Fax +45 7023 2769

Appendix: Sigma XT UK

Front panel UK



Connections overview



Document: 54000X SigmaXT.doc

Text

Chapters:
Control panels

Id: MRP
Rev: 2022-10-25



Vølundsvej 17
DK- 3400 Hillerød
Tel +45 7022 2769
Fax +45 7023 2769

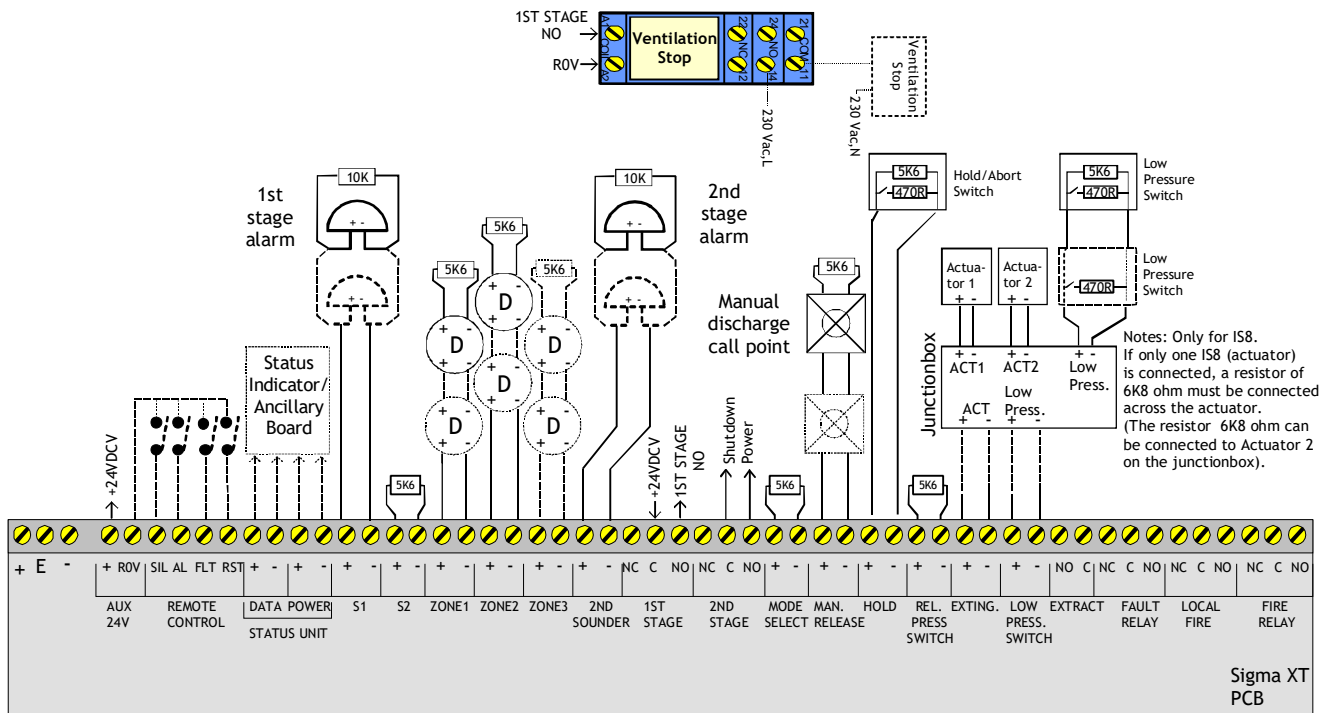
1	
2	
3	
4	
5	
6	
7	
8	
9	

Appendix: Sigma XT CZ

Front panel CZ



Connections overview



Document: 54000X SigmaXT.doc

Chapters:
Control panels

Id: MRP
Rev: 2022-10-25

Text
1
2
3
4
5
6
7
8
9



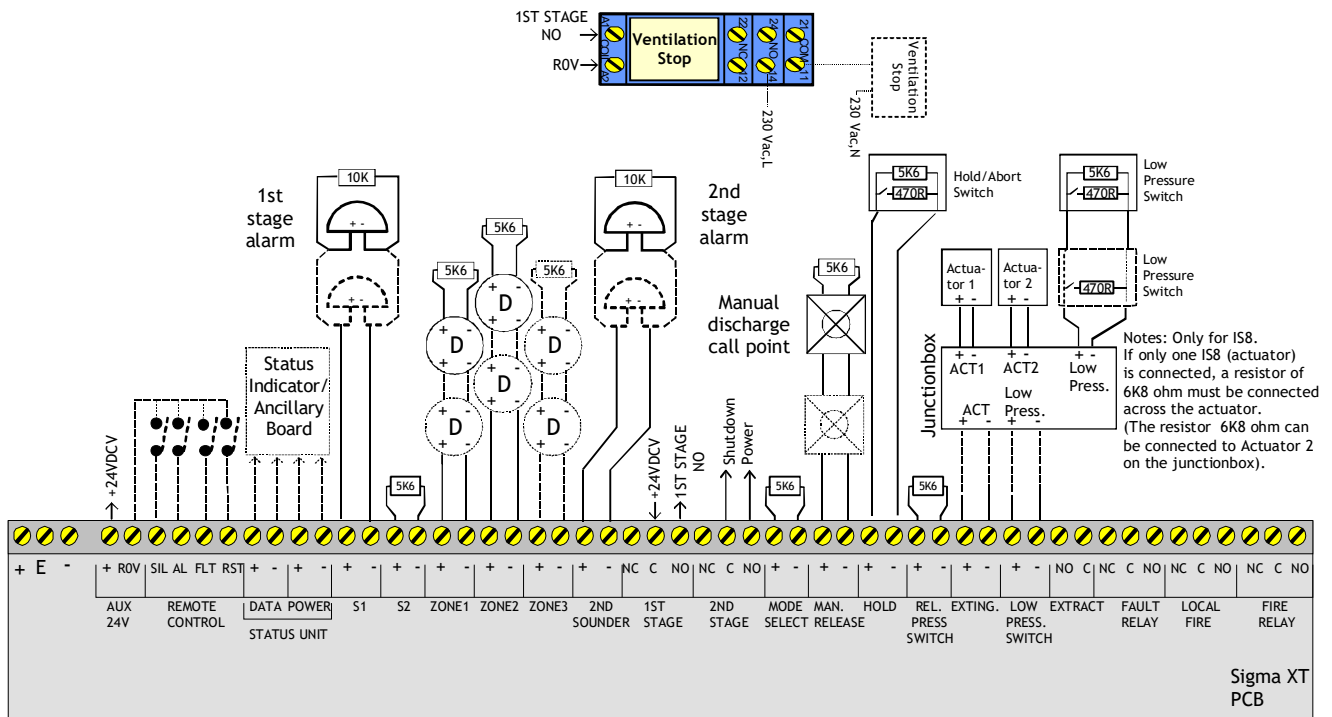
Vølundsvvej 17
DK- 3400 Hillerød
Tel +45 7022 2769
Fax +45 7023 2769

Appendix: Sigma XT HU

Front panel HU



Connections overview



Document: 54000X SigmaXT.doc

Text
1
2
3
4
5
6
7
8
9

Chapters:
Control panels

Id: MRP
Rev: 2022-10-25



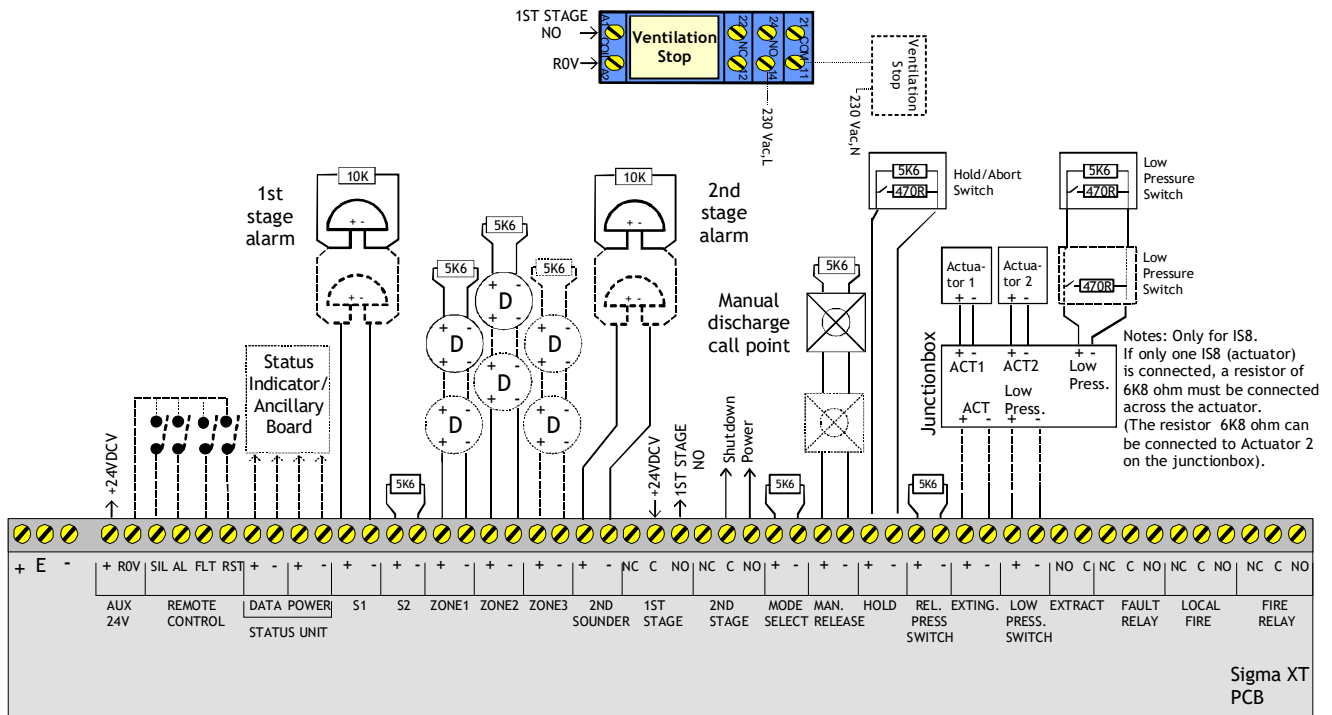
Vølundsvej 17
DK- 3400 Hillerød
Tel +45 7022 2769
Fax +45 7023 2769

Appendix: Sigma XT PL

Front panel PL



Connections overview



Document: 54000X SigmaXT.doc

Text	1
	2
	3
	4
	5
	6
	7
	8
	9

Chapters:
Control panels

Id: MRP
Rev: 2022-10-25



Vølundsvej 17
DK- 3400 Hillerød
Tel +45 7022 2769
Fax +45 7023 2769