

## ZSV MTX Manifold kits

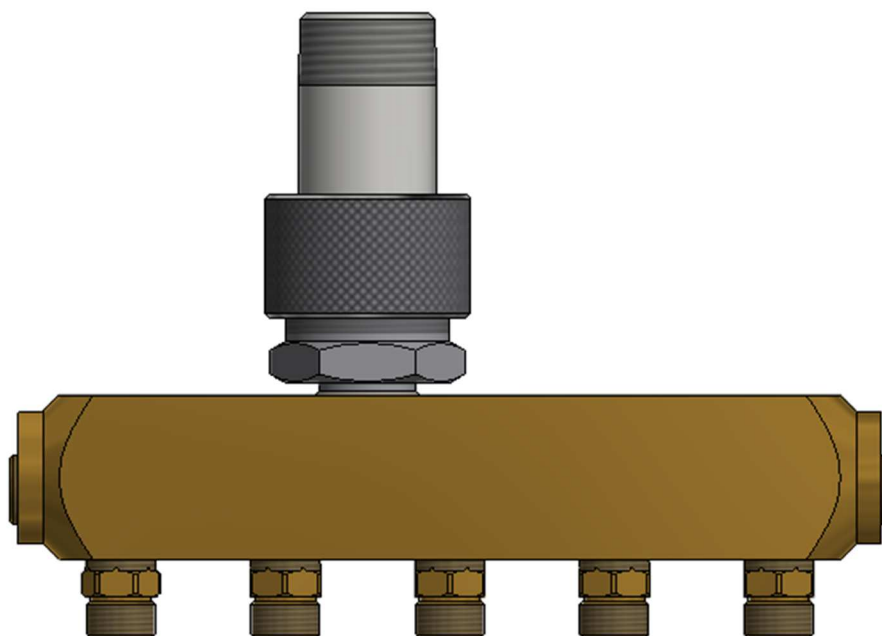
### Item numbers covered by this datasheet

9011222	ZSV MT 2 Manifold kit	(305272 manifold)
9011223	ZSV MT 3 Manifold kit	(305273 manifold)
9011224	ZSV MT 4 Manifold kit	(305274 manifold)
9011225	ZSV MT 5 Manifold kit	(305275 manifold)
9011226	ZSV MT 6 Manifold kit	(305276 manifold)
9011227	ZSV MT 7 Manifold kit	(305277 manifold)
9011228	ZSV MT 8 Manifold kit	(305278 manifold)

### General

Each connection in the manifold is fitted with a non-return valve to prevent actuation of the connected discharge valve.

The manifold kit is supplied completely with NPT 1" connection, so it can be used directly as the distribution manifold for ZSV or NPT1" systems.



<b>Document:</b> 901122x ZSV MTX Manifold Kit.docx		1	Text
		2	
<b>Category:</b> SV-CiV system	<b>Id:</b> MRP	3	
	<b>Rev:</b> 2023.03.21	4	
		5	
		6	
		7	
		8	
		9	



Vølundsvej 17  
 DK- 3400 Hillerød  
 Tel +45 7022 2769  
 Fax +45 7023 2769

**Specifications****Pressure:**

Work: 400 bar (300 bar fill @ 15°C)  
 Proof (burst): > 1440 bar

**Temperature:**

-40 to +70°C

**Flow way:**380mm<sup>2</sup>/connection (Ø22mm)**Tread connections:**

Hose connection: ISO228 G3/8" (60° seat), male  
 Pipe connection: NPT 1"

**Materials:**

Brass, Stainless steel, EPDM, zinc plated steel.

**Dimension:**

L×H: See the chapter **Drawings** and table 1 below.  
 ("Length (it)" is the specified length to center of union)

Union dimension: Ø50 mm

Weight: See table 1

Table 1

Item number	Marking	Orifice	Weight	Length	Length (it)	Height
		mm	kg	mm	mm	mm
9011222	SV22-MT 2	Ø22	1.80	94	-	152
9011223	SV22-MT 3	Ø22	3.24	214	87	152
9011224	SV22-MT 4	Ø22	3.26	214	87	152
9011225	SV22-MT 5	Ø22	3.28	214	87	152
9011226	SV22-MT 6	Ø22	4.80	334	167	152
9011227	SV22-MT 7	Ø22	4.82	334	167	152
9011228	SV22-MT 8	Ø22	4.84	334	167	152

**Markings**

Manifold: Fire Eater Logo, "SV22-MT##", Serial number, "CE1116" production year  
 Arrow for each connection, "Inert Gas, WP 40 MPa, -40 to +70°C", "Flow way xxx mm<sup>2</sup>"

**Document:** 901122x ZSV MTX Manifold  
 Kit.docx

Text

**Category:**  
 SV-CiV system

Id: MRP

Rev:2023.03.21



Vølundsvej 17  
 DK- 3400 Hillerød  
 Tel +45 7022 2769  
 Fax +45 7023 2769

1  
2  
3  
4  
5  
6  
7  
8  
9

**Installation**

The manifold kit is connected to a pipe system.  
Great care must be taken not to damage the O-ring in the connection.

The union nut is tightened by hand, additional tightening by a wrench is acceptable to prevent loosening but not required for tightness issues.

Note that the attached O-ring (in a small plastic bag) must be placed according to the **Exploded View** drawing. The O-ring number is '4' on the drawing.

**Operating**

No operations are necessary.

**Maintenance**

No requirements.

**Routine testing**

After activation of the extinguishing system the manifold can be tested for leakage, by using the Non-return valve tester, Item No 530534.  
For more information, see the datasheet for the Non-return valve tester.

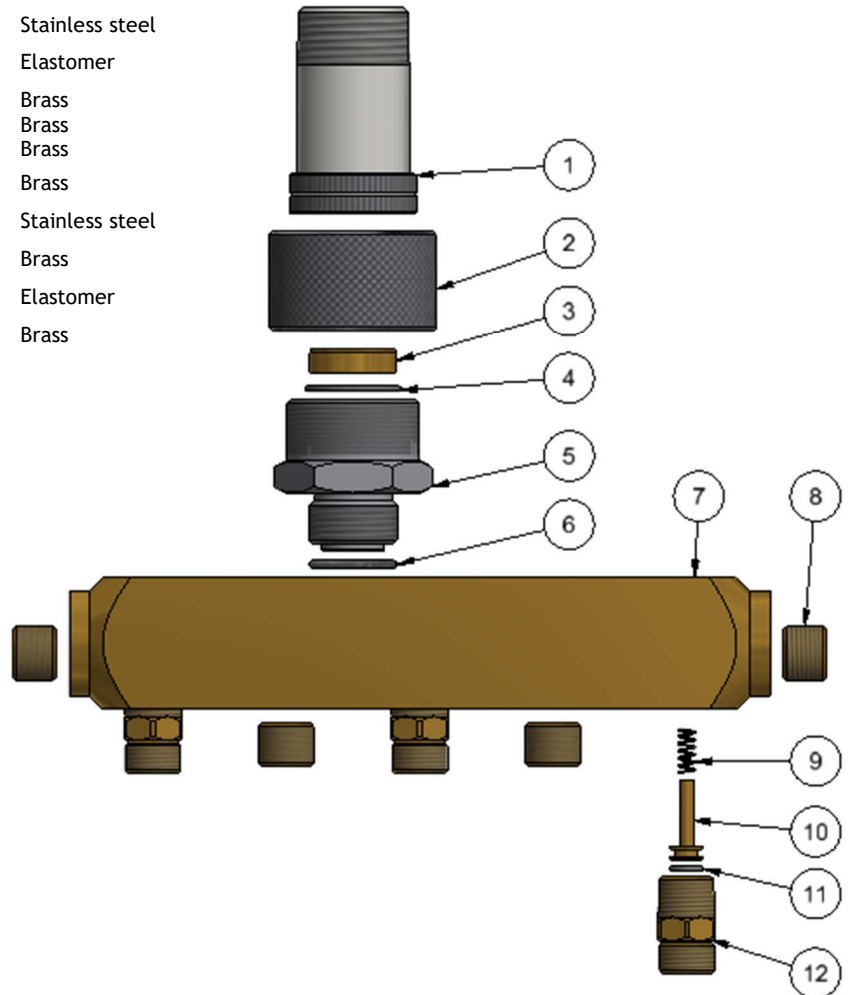
<b>Document:</b> 901122x ZSV MTX Manifold Kit.docx		1	Text
		2	
<b>Category:</b> SV-CiV system	<b>Id:</b> MRP	3	
	<b>Rev:</b> 2023.03.21	4	
		5	
		6	
		7	
		8	
		9	



Vølundsvej 17  
DK- 3400 Hillerød  
Tel +45 7022 2769  
Fax +45 7023 2769

**Exploded view**

Pos.	Item no.	Item name	Material
1	305663	CM MT interface NPT 1"	Zinc plated steel
2	305661	CM MT union nut	Zinc plated steel
3	305660	CM MT orifice plate	Brass
4		O- ring 26.0x1.5	Elastomer
5	305233	SM22 Adapter 3/4"	Stainless steel
6		O-ring 21.6x2.4	Elastomer
7	305134	SM MT1-2 Body	Brass
	305136	SM MT3-5 Body	Brass
	305137	SM MT6-8 Body	Brass
8	303213	Plug 3/8"BSPT	Brass
9		Spring 0.5x5.0x20.5	Stainless steel
10	305322	PM Bleed piston	Brass
11		O-ring 7.1x1.6	Elastomer
12	305312	CM Nipple 3/8"-3/8" MT	Brass

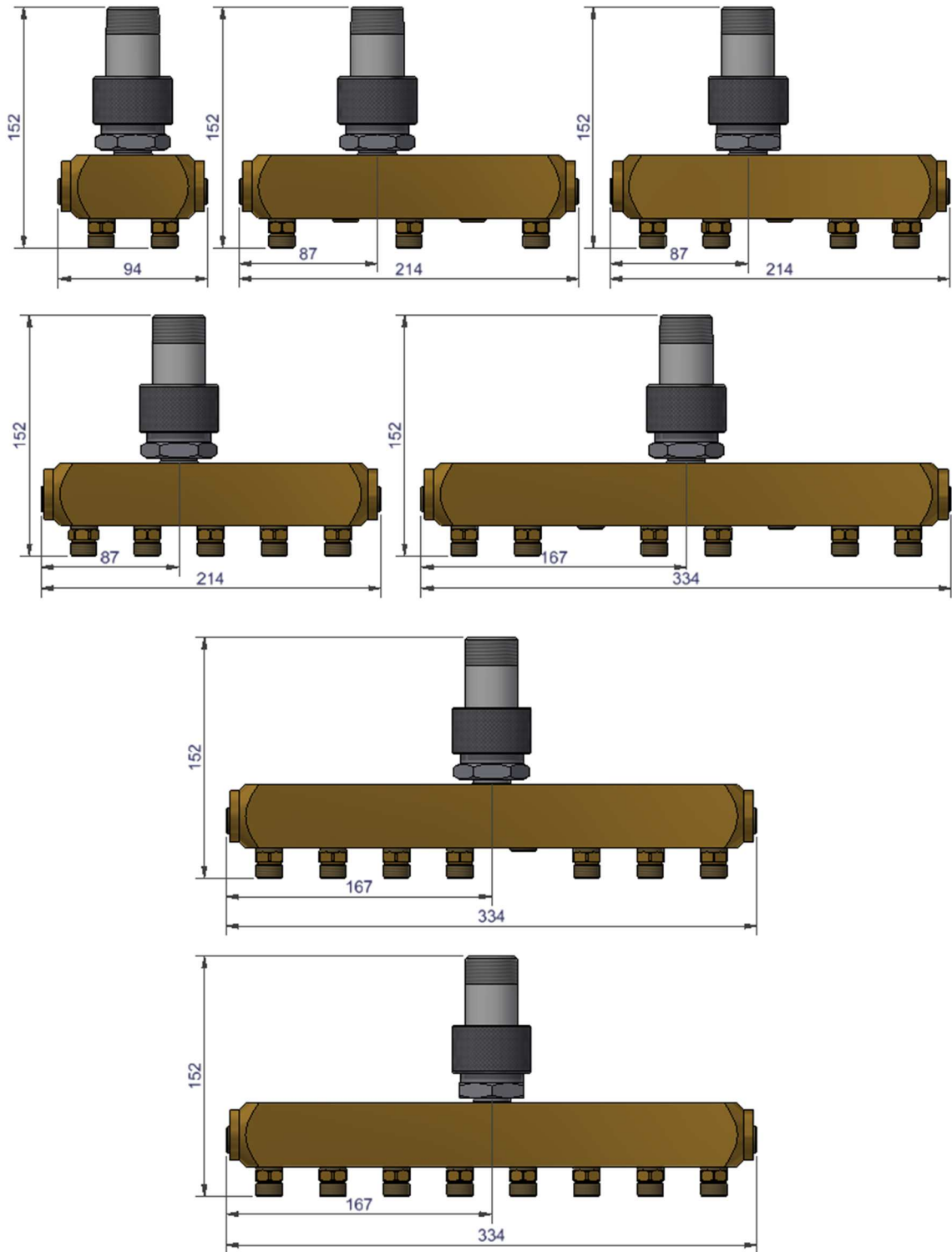


<b>Document:</b> 901122x ZSV MTX Manifold Kit.docx		1	Text
<b>Category:</b> SV-CiV system		2	
Id: MRP	Rev:2023.03.21	3	
		4	
		5	
		6	
		7	
		8	
		9	



Vølundvej 17  
 DK- 3400 Hillerød  
 Tel +45 7022 2769  
 Fax +45 7023 2769

Drawings



Document: 901122x ZSV MTX Manifold  
Kit.docx

Category:  
SV-CiV system

Id: MRP  
Rev:2023.03.21

Text

1	
2	
3	
4	
5	
6	
7	
8	
9	



Vølundvej 17  
DK- 3400 Hillerød  
Tel +45 7022 2769  
Fax +45 7023 2769