

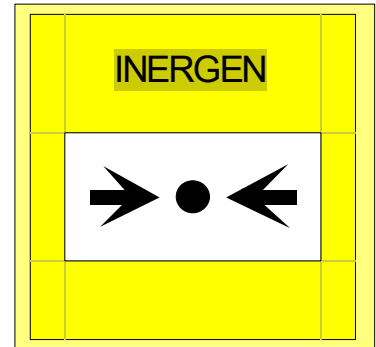
Discharge call point IP67

This datasheet covers the following items:

- 407136 Discharge call point IP67 without lid. Only pictogram (470 Ω)
- 407220 Discharge call point IP67 with lid. Only pictogram (470Ω)

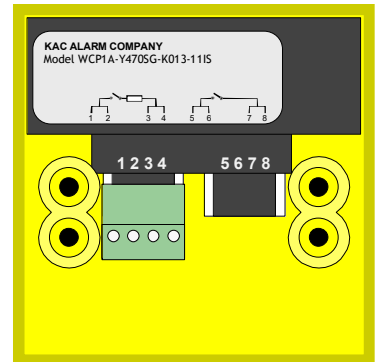
The discharge call point is a dual single pole normally open contact model with resistor of the break glass type.

The outdoor WCP1A is an IP67 sealed manual call point product. The enhanced environmental protection allows the unit to be installed in many external environments where water and dirt are likely to be present, making it a true waterproof and outdoor product.



Specifications

Designation:	Discharge call point WCP1A-Y470SG
Humidity:	0-93 +/- 3% non-condensing
Temp. (operating):	-25 °C to +70 °C.
Ingress Protection:	IP67
Colour:	Yellow
Rated Voltage/Current:	9-30VDC/2A
Cable limitation:	0.5 - 2.5 mm ²
Resistor(R1):	470 Ω
H×L×D:	93×98×71 mm
Weight:	350 g
Cable gland connection:	M20
Materials:	PC/ABS



Standard/Approval

- EN54-11
- LPCB 166b
- 2831-CPR-F1701
- 0832-MED-1011

Function

When the glass is broked, the switch change to the resistance, 470 ohm.

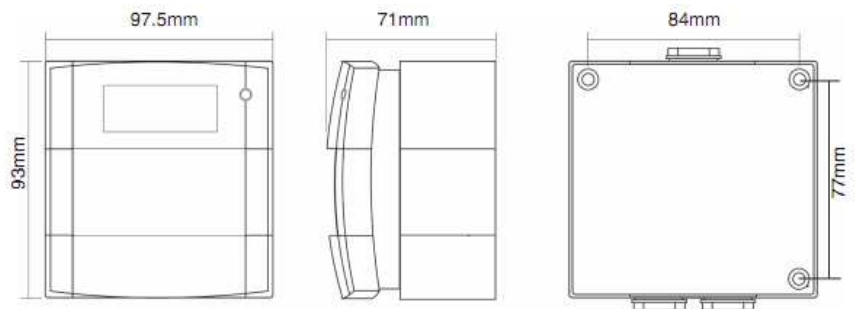


Accessories

- 407302 Glass "Break glass" EN54 (pict)
- 702474 Cable gland M20 ø10-14 IP68
- 540320 Cable gland M20 ø7-12 IP67

Maintenance

After activation the glass element has to be replaced.



Document: Discharge call point IP67.doc		1	Text
		2	
Chapters: Accessories	Id: mrp	3	
	Rev: 2022-11-17	4	
		5	
		6	
		7	
		8	
		9	



Vølundsvej 17
DK- 3400 Hillerød
Tel +45 7022 2769
Fax +45 7023 2769