

Alarm indicator Slave

Item numbers covered by this datasheet:

- 406123 - DK text: BRAND Forlad rummet
- 406124 - DK text: BRAND Adgang forbudt
- 406125 - UK text: FIRE
- 406136 - RO text: Acces interzis
- 406137 - RO text: Evacuare
- 406142 - CZ text: Požár Opusite prostor
- 406143 - CZ text: Požár Nevstupujte
- 406146 - DK text: BRAND Adgang forbudt- Lindpro logo
- 406147 - DK text: BRAND Forlad rummet - Lindpro logo
- 406152 - DK text: BRAND Adgang forbudt- Bravida logo
- 406153 - DK text: BRAND Forlad rummet - Bravida logo
- 406162 - DK text: BRAND Adgang forbudt- Coromatic logo
- 406163 - DK text: BRAND Forlad rummet - Coromatic logo
- 406225 - DK text: BRAND Forlad rummet - Falck logo
- 406226 - DK text: BRAND Adgang forbudt- Falck logo
- 406253 - DK text: BRAND Forlad rummet - Lotek logo
- 406254 - DK text: BRAND Adgang forbudt- Lotek logo
- 526265 - F+UK text: Evacuation immediate, Evacuate immediately - Tyco
- 526266 - F+UK text: Entree interdite, Emission Inergen, No entry, Inergen release - Tyco



Specifications

Power (activated):	12VDC/43mA 24VDC/41mA
Rated voltage	9-30VDC
Stand-by current	<1mA
Sound level min.	80 dB/1m @24V
Ingress protection:	IP22
Colour:	Gray, RAL 7032
Cable limitation:	0.5 - 2.5 mm ²
HxLxD/Weight/Material:	80x120x38 mm / 0.11 kg / ABS

Installation

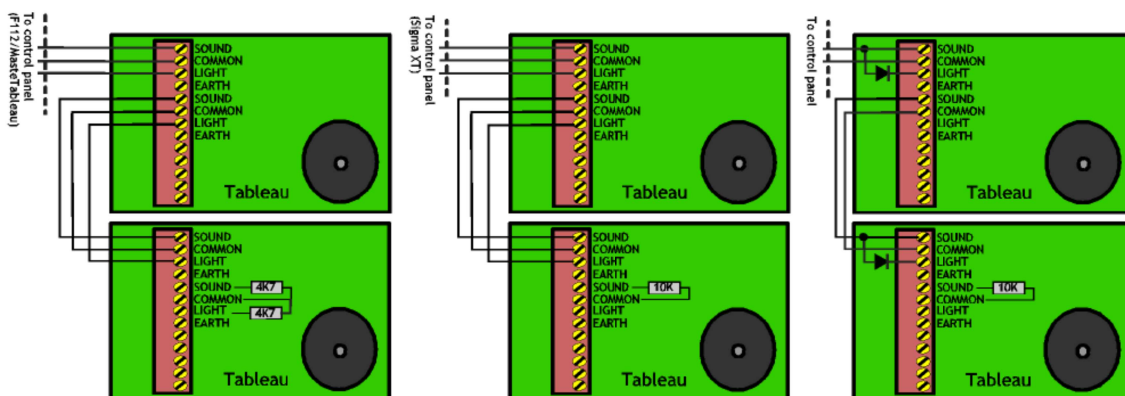
- 1) Connection to controlpane F112/MasterTableau 2 xEOL resistor 4K7 ohm
 - 2) Connection to control panel Sigma XT, EOL resistor 10K ohm
 - 3) Connection to control panel where the 'Light' signal is short to the 'Sound'.
- (Insert a diode (eg. 1N4001) between 'SOUND' and 'LIGHT' to prevent leakage current for the monitoring circuit).

Fig 1.

Fig 2.

Fig 3.

Installation for ver. A-C.



Document: INTEC_Tableau_Slave		1	Text
		2	
CATEGORY: Electrical comp.	Id: MRP	3	
	Rev: 22.04.21	4	
		5	
		6	
		7	
		8	
		9	



Vølundsvej 17
DK- 3400 Hillerød
Tel +45 7022 2769
Fax +45 7023 2769

Installation continued...

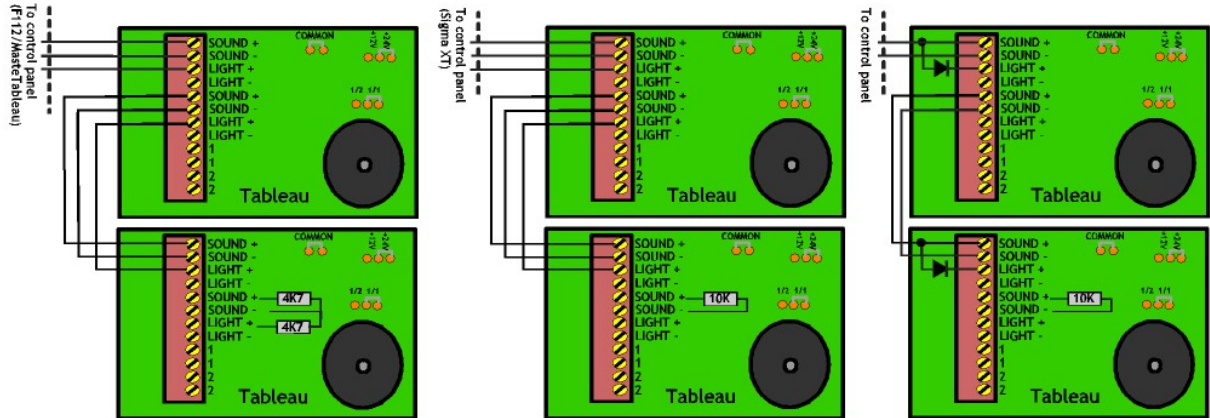
- 1) Connection to control panel F112/MasterTableau, 2 x EOL resistor 4K7 ohm
 - 2) Connection to control panel Sigma XT, EOL resistor 10K ohm
 - 3) Connection to control panel where the 'Light' signal is short to the 'Sound'.
- (Insert a diode (eg. 1N4001) between 'SOUND' and 'LIGHT' to prevent leakage current for the monitoring circuit).

Fig. 1

Fig. 2

Fig. 3

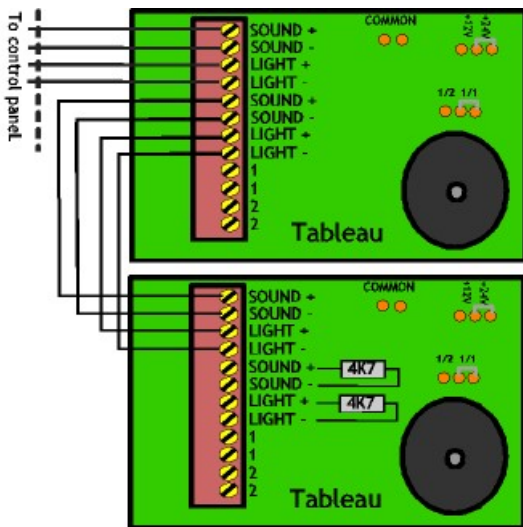
Installation for ver. D



Note, for ver. D

- The SOUND- and LIGHT- are short by the jumper 'COMMON'.
It is possible to separate SOUND and LIGHT by cut the jumper 'COMMON'.
- It is possible to reduce the sound level, by removing the jumper from 1/1 to 1/2
- The number '1' and '1' is short and '2' and '2' is short.

Connection to control panel with separate SOUND and LIGHT. Note the 'COMMON' jumper is cut.



Document: INTEC_Tableau_Slave		1	Text
		2	
CATEGORY: Electrical comp.	Id: MRP	3	
	Rev: 22.04.21	4	
		5	
		6	
		7	
		8	
		9	



Vølundsvej 17
DK- 3400 Hillerød
Tel +45 7022 2769
Fax +45 7023 2769