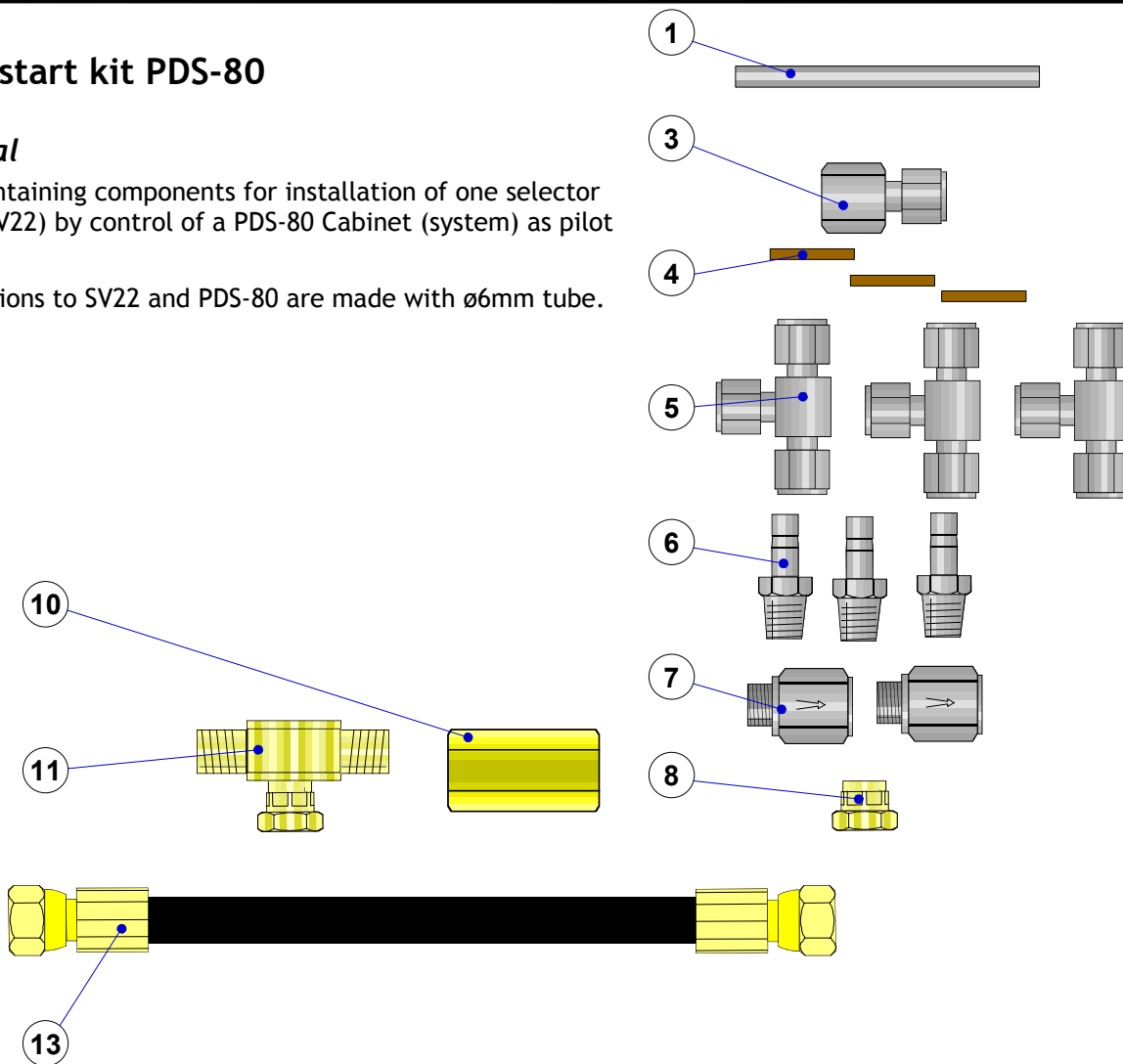


SV22 start kit PDS-80

General

A kit containing components for installation of one selector valve (SV22) by control of a PDS-80 Cabinet (system) as pilot system.

Connections to SV22 and PDS-80 are made with $\varnothing 6\text{mm}$ tube.



Components

Pos.	Name	Quantity	Item
1:	Tube $\varnothing 6\text{mm}$	1	102012
3:	Compression fitting $\frac{1}{4}$ " BSP (F) $\varnothing 6$	1	301382
4:	Bonded seal $\frac{1}{4}$ "	3	777003
5:	Compression fitting tee $\varnothing 6$	3	214035
6:	Compression fitting $\frac{1}{4}$ " BSPT- $\varnothing 6$ stud	3	214301
7:	Non-Return valve $\frac{1}{4}$ "	2	305302
8:	Blind plug $\frac{1}{4}$ "	1	303520
10:	Bleed fitting 400bar	1	305320
11:	Tee $\frac{1}{4}$ " BSP (In-Union-In)	1	303281
13:	Pressure hose Dn6-400 0.330m	1	303174

Document: 305199 SV22 startkit PDS-80.doc

a	Text
b	SV22 selector valve
c	Orifice
	Tee kit

Product:

Start Kit

Id: mk
Rev: 12.10.06

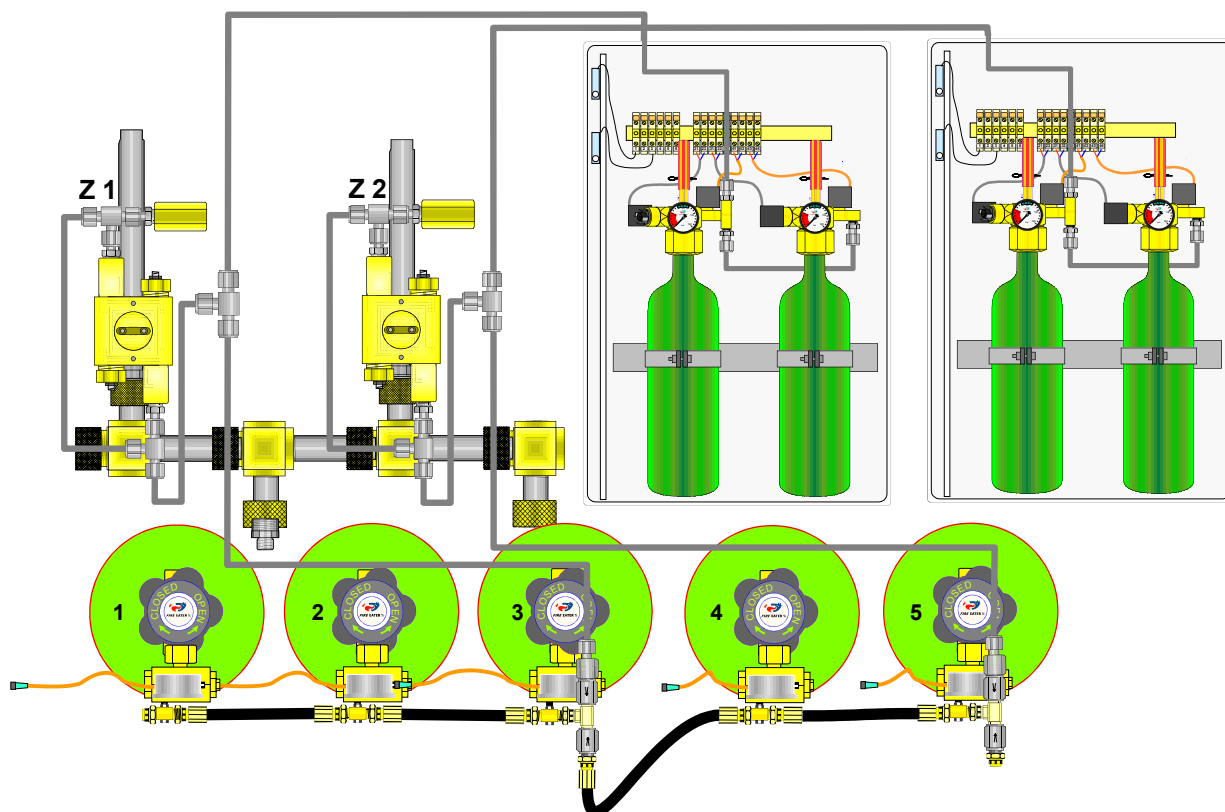
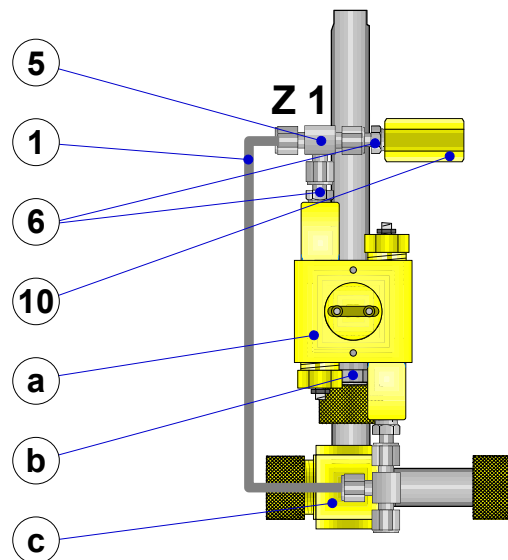
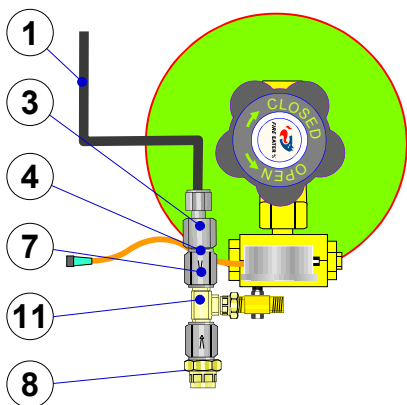


Vølundsvej 17
DK- 3400 Hillerød
Tel +45 7022 2769
Fax +45 7023 2769

Installation

Position numbers refer to position number on previous page.

All connections are to be tightened.



Document: 305199 SV22 startkit PDS-80.doc

Product:
Start Kit

Id: mk
Rev: 12.10.06

a	Text SV22 selector valve
b	Orifice
c	Tee kit



Vølundsvej 17
DK- 3400 Hillerød
Tel +45 7022 2769
Fax +45 7023 2769