

SV22 Pipe pressure switch kit

Item numbers covered by this datasheet

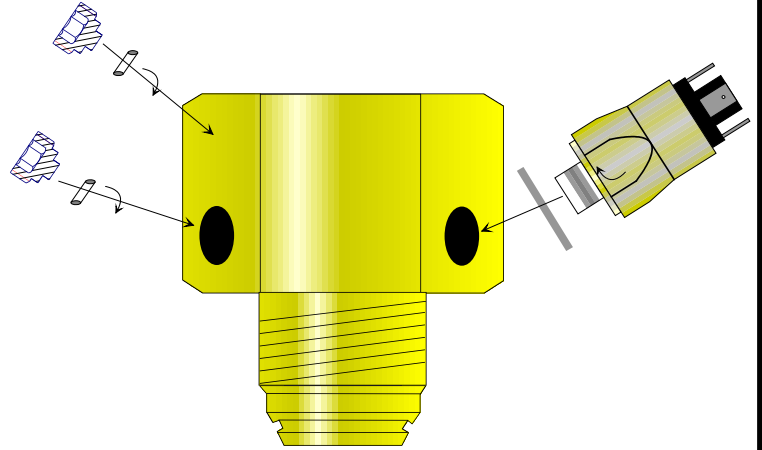
- 305184 SV22 Pipe pressure switch kit
- 305184-8 SV22 Pipe pressure switch kit Customized
- 305184-51 SV22 Pipe pressure switch kit 5K6-470R (SigmaXT series)

General

This kit is used when a signal for pressurization of the pipe system is required. The adapter is fitted directly into the SV22 outlet between the selector valve and the pipe adapter.

The adapter features 3 outlets and the pressure switch may be placed in any of these to achieve proper positioning. The unused outlets must be blinded off by the supplied blinding plugs.

If “-8” is added to the part number special requirements regarding resistance and pressure can be delivered. These specifications are to be supplied by the customer.



Specification

Pressure:

- Work: max 400 bar
- Proof (burst): 1200 bar

Temperature: -30 °C - +100°C

Thread: ISO228 1”

Material:

- Body: Brass,
- Pressure switch: Zinc plated steel
- O-ring: PUR

Dimensions:

Switch:

- Voltage: 250 V
- Current: 4A
- IP: IP67 w cap
- Pressure: 10 - 20 bar.

Document: 305184_SV22 Pip Pressure Switch Kit 2024-02-20		1	Text
		2	
Category: SV-CiV System	Id: MRP	3	
	Rev: 12.08.24	4	
		5	
		6	
		7	
		8	
		9	

Vølundsvej 17
 DK- 3400 Hillerød
 Tel +45 7022 2769
 Fax +45 7023 2769

Installation

Adapter to SV22 (1)

The adapter is screwed into the outlet of the SV22. It is important to observe that the O-ring is clean and well lubricated, as well as the mating surfaces have to be clean.

Locking fluid may be applied to prevent the adapter from being unscrewed during fitting of piping, this is not a requirement. The adapter is tightened approx. 100Nm.

Pressure switch & blind plugs

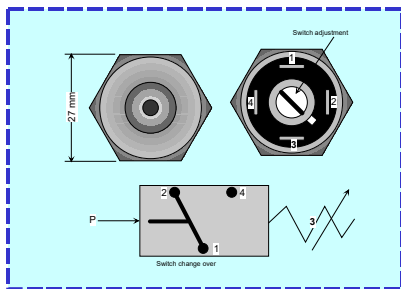
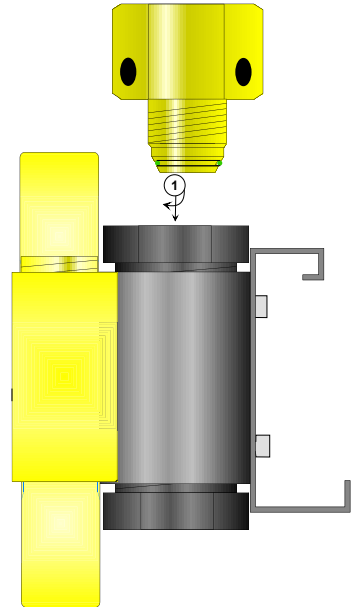
With the adapter in place the pressure switch may be placed in any of the 3 outlets by simply removing the blind plug and the copper seal in the bottom, and fasten the pressure switch with the bonded seal fitted.

When installation is complete all unused outlets must be blinded off.

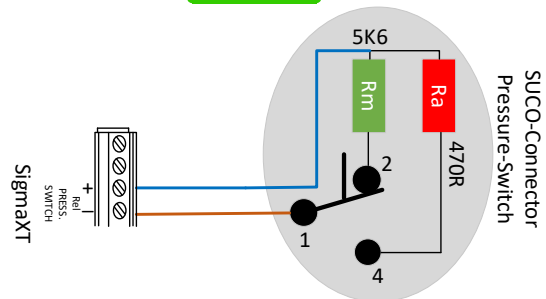
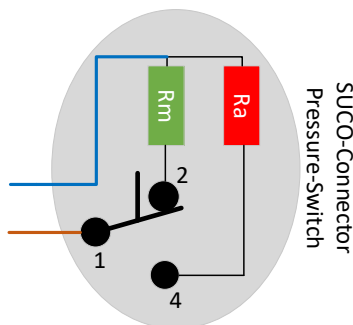
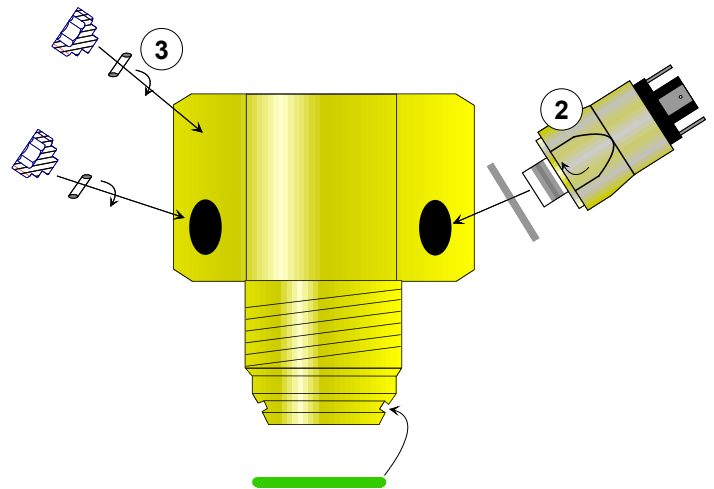
Electrical connection

The cap and cable are screwed on to the pressure switch and connected to the control panel. For monitored input, the resistors are in the connector. See the two schematic examples. Only for a customized product.

- Brown: Com (Pressure switch: 1)
- Blue: NC (Pressure switch: 2) (not pressurized pipe system)
- Black: No (Pressure switch: 4) (not pressurized pipe system)



Rm = Monitored resistance
Ra = Activated resistance



Document: 305184_SV22 Pip Pressure Switch Kit 2024-02-20

Category: SV-CiV System

Id: MRP
Rev: 12.08.24



Vølundsvej 17
DK- 3400 Hillerød
Tel +45 7022 2769
Fax +45 7023 2769

Text

1	
2	
3	
4	
5	
6	
7	
8	
9	